

2017

COMPONENT PARTS CATALOG FOR YOUR COMMERCIAL EQUIPMENT

• Cabinet Leg	1 ~ 16
• Adjust Ball & Leg	17 ~ 20
• Drain	21 ~ 25
• Strainer & Basket	26
• Spout	27
• Overflow, Hose and Nut	28 ~ 32
• Pipe Joint	33 ~ 39
• Cap	40
• Pipe Socket	41
• Rack	42 ~ 43
• Roller	44
• Plastic Rail	45
• Bumper & Accessories	46 ~ 49
• Hinges & Accessories	50 ~ 51
• Magnet	52
• Handles	53 ~ 59



THE ONE CLEANTECH JOINT STOCK COMPANY

No 40, Lane 42, Tran Cung Street, Co Nhue 1
Commune, Bac Tu Liem District, Ha Noi City, Viet Nam

TEL: +84 243 7938373

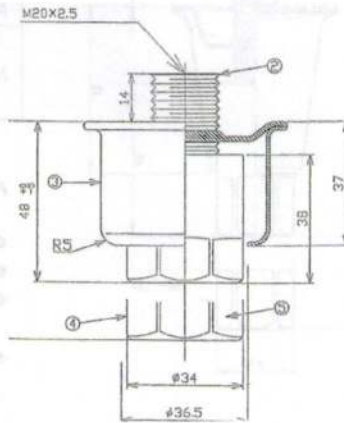
HOTLINE: +84 9 36090191

EMAIL: info@theonejsc.com

WEBSITE: <http://www.theonecleantech.com>

SUS304 ROUND TYPE - HEAVY ZINC PLATED M20 x 2.5 THREADED STEEL BOLT

NZ-R050

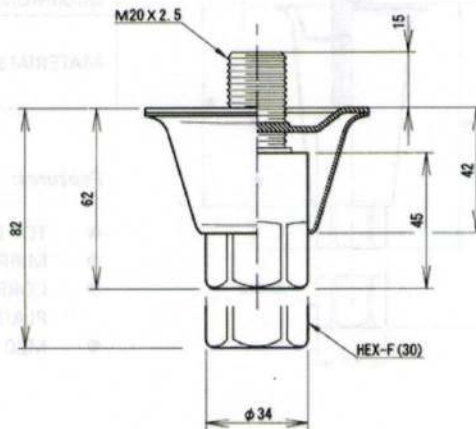


ITEM NO.	NZ-R050	
MINIMUM LENGTH	48mm	
MAXIMUM LENGTH	65mm	
MATERIALS	BODY	SUS304
	LEG	SUS304 + NYLON6

Features:

- TOP DIA: 59mm ϕ
- MIRROR POLISHED FINISH
- CORROSION RESISTANT THICK ZINC PLATED BOLT
- M20 x 2.5mm THREADS

NZ - R065

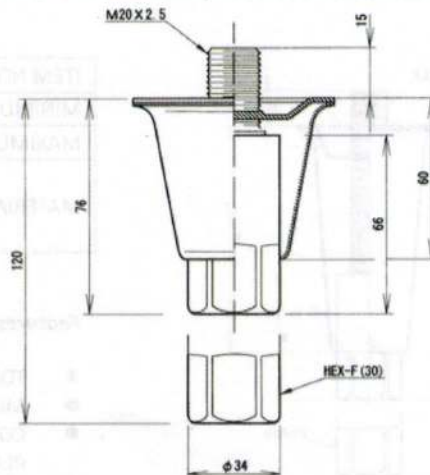


ITEM NO.	NZ-R065	
MINIMUM LENGTH	62mm	
MAXIMUM LENGTH	82mm	
MATERIALS	BODY	SUS304
	LEG	SUS304+ NYLON6

Features:

- TOP DIA: 75mm ϕ
- MIRROR POLISHED FINISH
- CORROSION RESISTANT THICK ZINC PLATED BOLT
- M20 x 2.5mm THREADS

NZ - R080

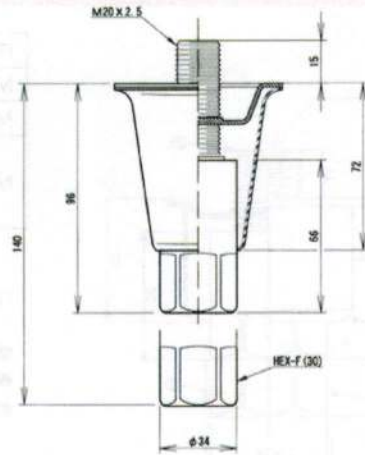


ITEM NO.	NZ-R080	
MINIMUM LENGTH	76mm	
MAXIMUM LENGTH	120mm	
MATERIALS	BODY	SUS304
	LEG	SUS304 + NYLON6

Features:

- TOP DIA: 75mm ϕ
- MIRROR POLISHED FINISH
- CORROSION RESISTANT THICK ZINC PLATED BOLT
- M20 x 2.5mm THREADS

NZ - R100

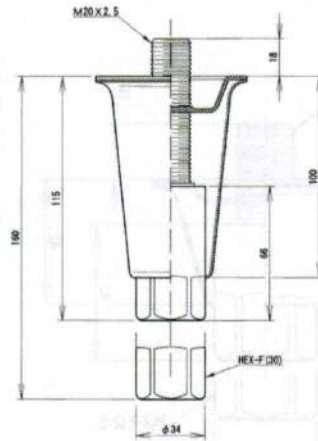


ITEM NO.	NZ-R100	
MINIMUM LENGTH	96mm	
MAXIMUM LENGTH	140mm	
MATERIALS	BODY	SUS304
	LEG	SUS304+ NYLON66

Features:

- TOP DIA: 75mm Ø
- MIRROR POLISHED FINISH
- CORROSION RESISTANT THICK ZINC PLATED BOLT
- M20 x 2.5mm THREADS

NZ - R120

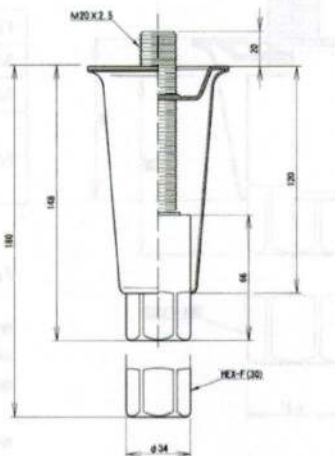


ITEM NO.	NZ-R120	
MINIMUM LENGTH	115mm	
MAXIMUM LENGTH	160mm	
MATERIALS	BODY	SUS304
	LEG	SUS304+ NYLON66

Features:

- TOP DIA: 75mm Ø
- MIRROR POLISHED FINISH
- CORROSION RESISTANT THICK ZINC PLATED BOLT
- M20 x 2.5mm THREADS

NZ - R150

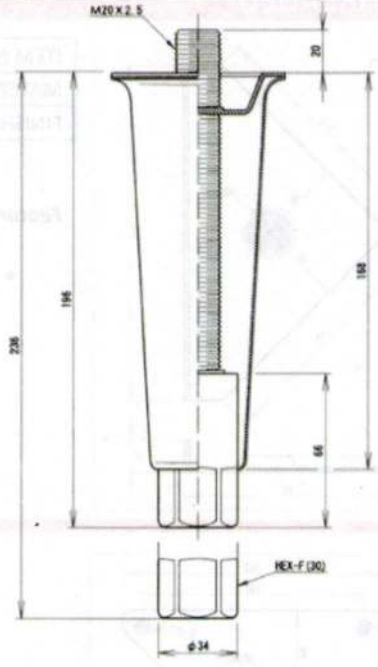


ITEM NO.	NZ-R150	
MINIMUM LENGTH	148mm	
MAXIMUM LENGTH	180mm	
MATERIALS	BODY	SUS304
	LEG	SUS304+ NYLON66

Features:

- TOP DIA: 75mm Ø
- MIRROR POLISHED FINISH
- CORROSION RESISTANT THICK ZINC PLATED BOLT
- M20 x 2.5mm THREADS

NZ - R200



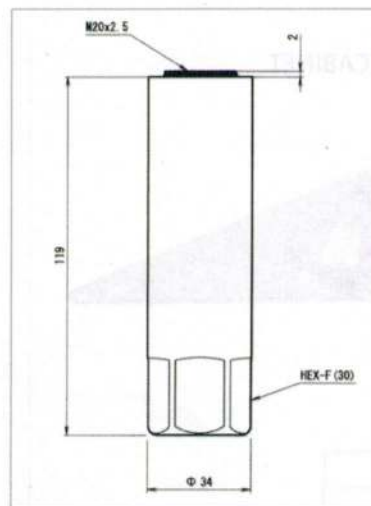
ITEM NO.	NZ-R200	
MINIMUM LENGTH	196mm	
MAXIMUM LENGTH	236mm	
MATERIALS	BODY	SUS304
	LEG	SUS304+ NYLON6

Features:

- TOP DIA: 75mm Ø
- MIRROR POLISHED FINISH
- CORROSION RESISTANT THICK ZINC PLATED BOLT
- M20 x 2.5mm THREADS

ITEM NO.	NZ-R200
MATERIAL	SUS304
FINISH	ZINC PLATED
THREAD	M20x2.5

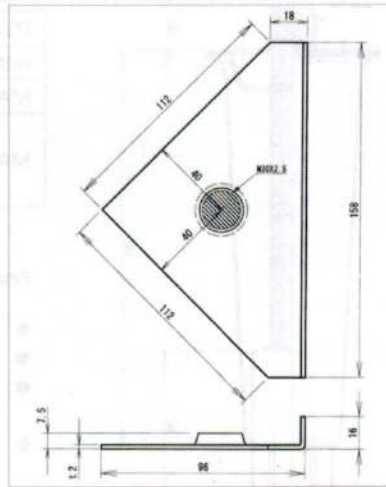
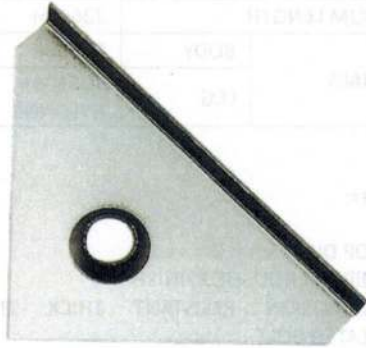
NZ - P200



ITEM NO.	NZ-P200
MATERIAL	SUS304
FINISH	ZINC PLATED
THREAD	M20x2.5

SUS304 TRIANGLE BASE M20 x 2.0 THREADED

NZ - R250B

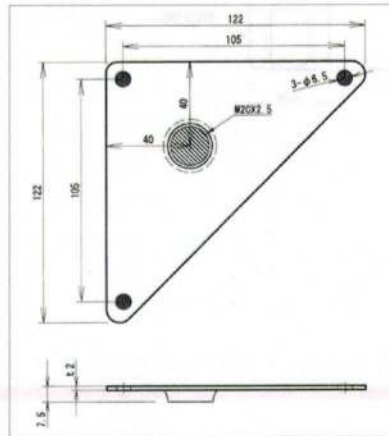


ITEM NO.	NZ-R250B
MATERIAL	2.0mm THICK SUS430
FINISH	NATURAL

Features:

- WITH UPRIGHT EDGE

NZ - R250C

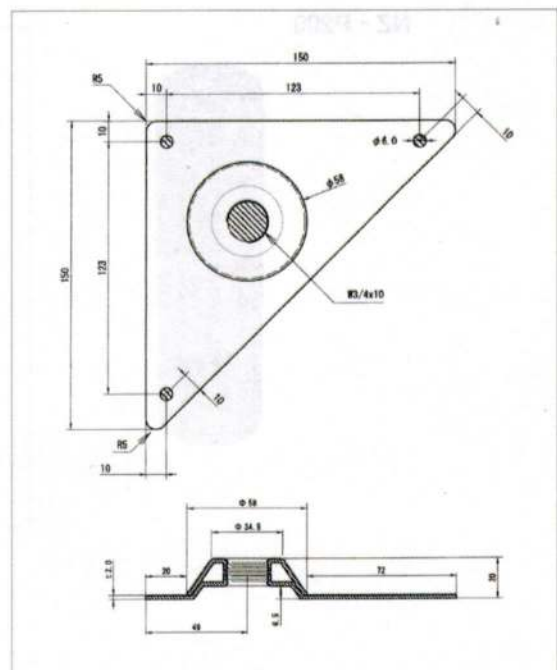


ITEM NO.	NZ-R250C
MATERIAL	SUS304
THICKNESS	2.0mm
FINISH	NATURAL
THREADS	M20

SUS304 LOWER ADJUSTABLE BASE

NZ - R260

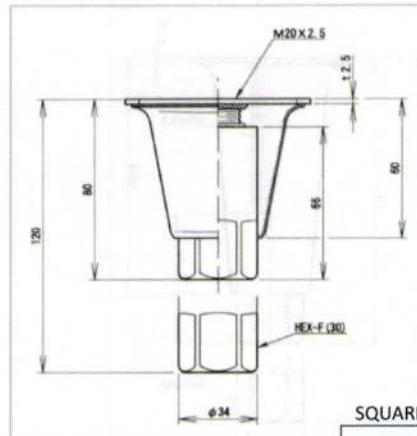
TRIANGLE BASE FOR LOWER CABINET



ITEM NO.	NZ-R260
MATERIALS	SUS304
THICKNESS	2.0mm
FINISH	MIRROR

M20 x 2.5 THREADED STEEL BOLT

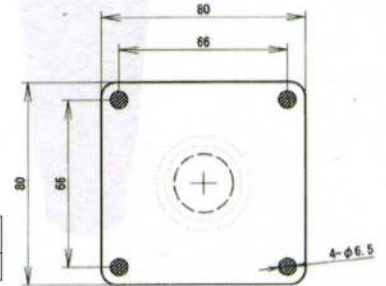
NZ - S080



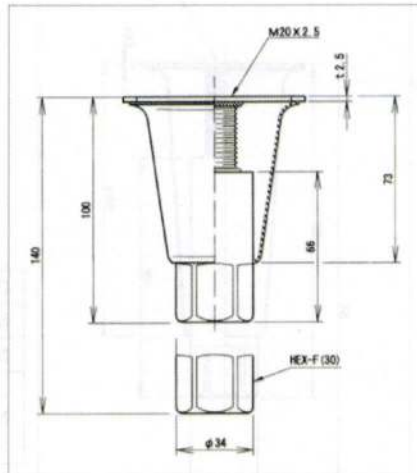
SQUARE BASE

MATERIAL	SUS430
THICKNESS	2.5mm

ITEM NO.	NZ-S080	
MINIMUM LENGTH	80mm	
MAXIMUM LENGTH	120mm	
MATERIALS	BODY	SUS304
	LEG	SUS304 + NYLON6

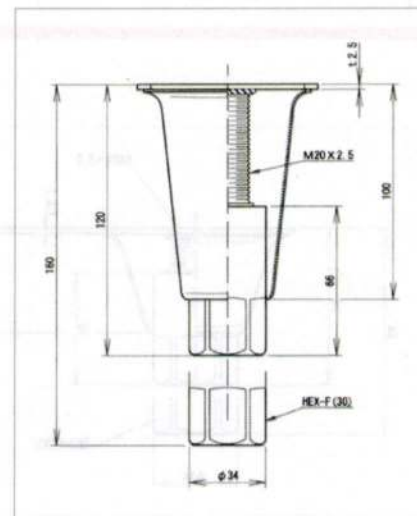


NZ - S100



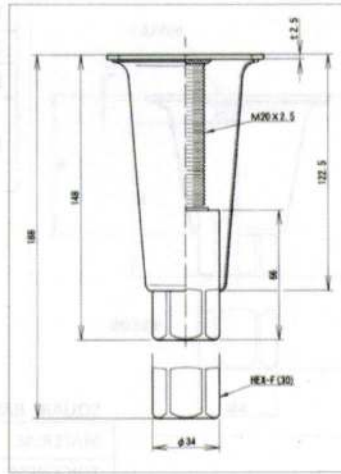
ITEM NO.	NZ-S100	
MINIMUM LENGTH	100mm	
MAXIMUM LENGTH	140mm	
MATERIALS	BODY	SUS304
	LEG	SUS304 + NYLON6

NZ - S120



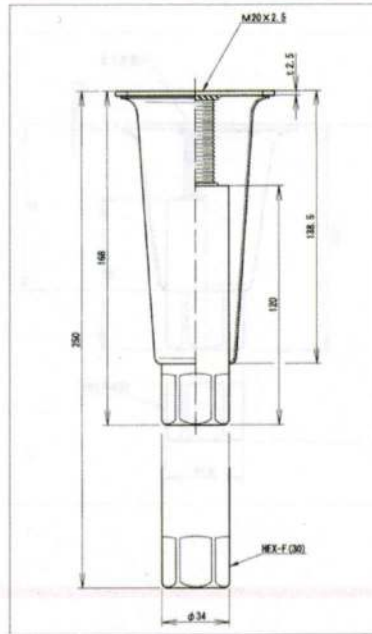
ITEM NO.	NZ-S120	
MINIMUM LENGTH	120mm	
MAXIMUM LENGTH	160mm	
MATERIALS	BODY	SUS304
	LEG	SUS304 + NYLON6

NZ - S150



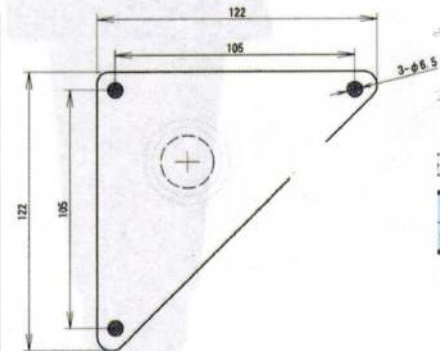
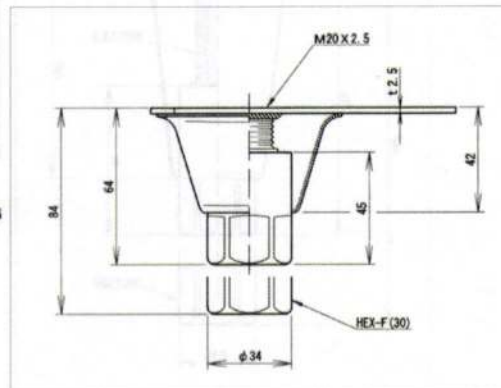
ITEM NO.	NZ-S150	
MINIMUM LENGTH	148mm	
MAXIMUM LENGTH	188mm	
MATERIALS	BODY	SUS304
	LEG	SUS304+ NYLON6

NZ - S180

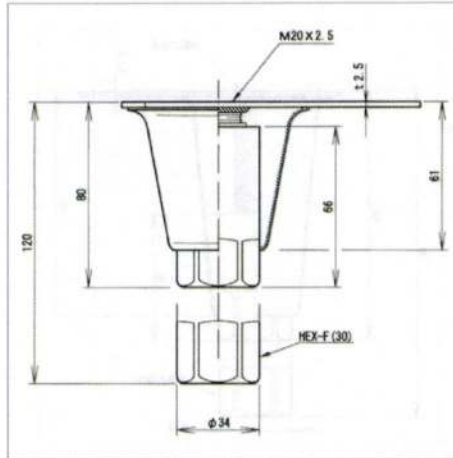


ITEM NO.	NZ-S180	
MINIMUM LENGTH	168mm	
MAXIMUM LENGTH	250mm	
MATERIALS	BODY	SUS304
	LEG	SUS304+ NYLON6

NZ - T065

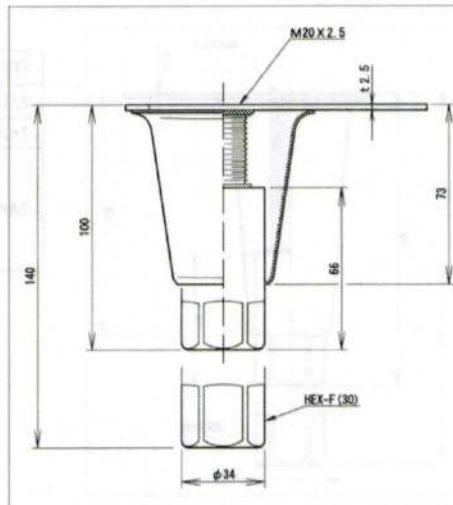


NZ - T080N



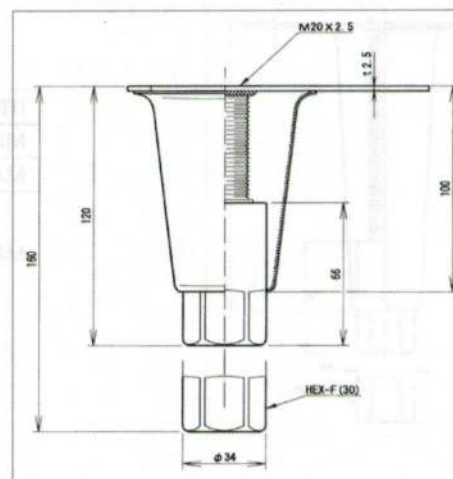
ITEM NO.	NZ-T080	
MINIMUM LENGTH	80mm	
MAXIMUM LENGTH	120mm	
MATERIALS	BODY	SUS304
	LEG	SUS304+ NYLON6
	BASE	SUS430

NZ - T100



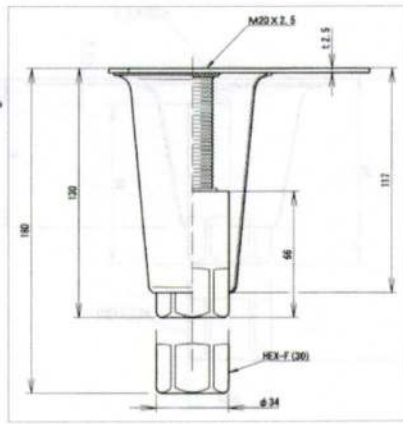
ITEM NO.	NZ-T100	
MINIMUM LENGTH	100mm	
MAXIMUM LENGTH	140mm	
MATERIALS	BODY	SUS304
	LEG	SUS304+ NYLON6
	BASE	SUS430

NZ - T120



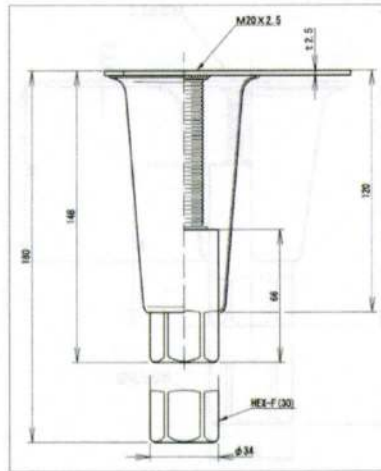
ITEM NO.	NZ-T120	
MINIMUM LENGTH	120mm	
MAXIMUM LENGTH	160mm	
MATERIALS	BODY	SUS304
	LEG	SUS304+ NYLON6
	BASE	SUS430

NZ - T130N



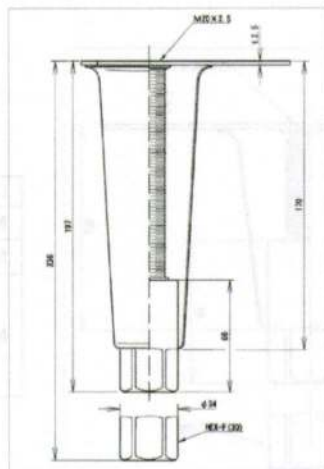
ITEM NO.	NZ-T130N	
MINIMUM LENGTH	130mm	
MAXIMUM LENGTH	180mm	
MATERIALS	BODY	SUS304
	LEG	SUS304+ NYLON6
	BASE	SUS430

NZ - T150



ITEM NO.	NZ-T150	
MINIMUM LENGTH	148mm	
MAXIMUM LENGTH	180mm	
MATERIALS	BODY	SUS304
	LEG	SUS304 NYLON6
	BASE	SUS430

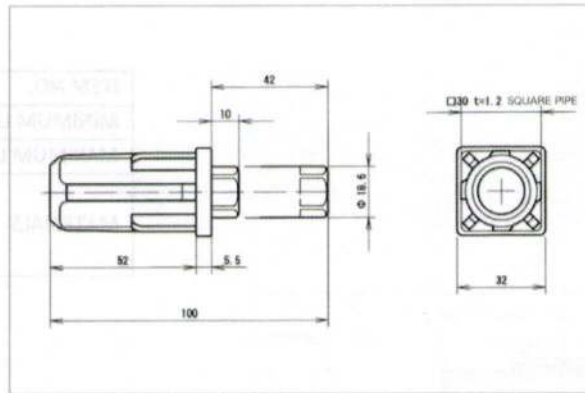
NZ - T200



ITEM NO.	NZ-T200	
MINIMUM LENGTH	197mm	
MAXIMUM LENGTH	236mm	
MATERIALS	BODY	SUS304
	LEG	SUS304+ NYLON6
	BASE	SUS430

ZINC DIECAST SQUARE PIPE ADJUST LEGS

NZ-P400-1

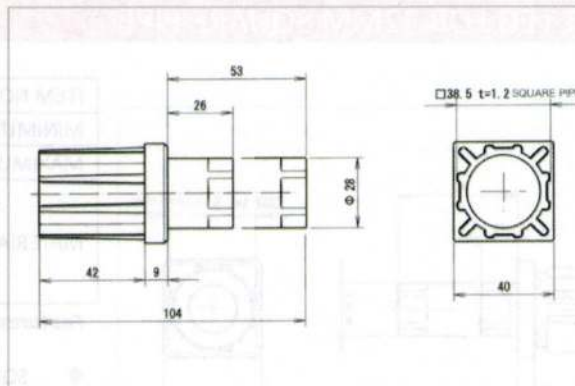


ITEM NO.	NZ-P400-1	
MINIMUM LENGTH	10mm	
MAXIMUM LENGTH	42mm	
MATERIALS	BODY	ZINC DIECAST
	LEG	ZINC DIECAST
	LEG TUBE	SUS304
	BASE RING	SUS304

Features:

- SQUARE PIPE 30mm
- THICKNESS 1.2mm

NZ-P400-2

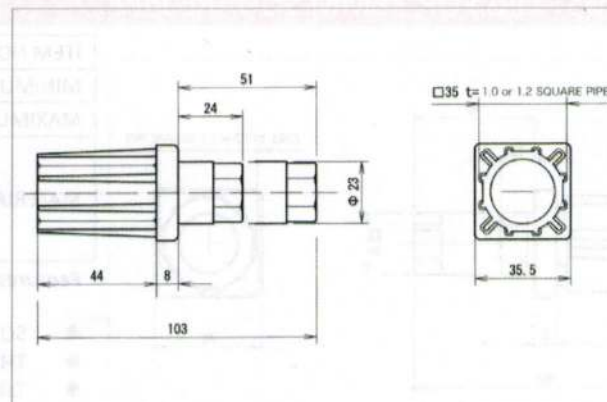


ITEM NO.	NZ-P400-2	
MINIMUM LENGTH	26mm	
MAXIMUM LENGTH	53mm	
MATERIALS	BODY	ZINC DIECAST
	LEG	ZINC DIECAST
	LEG TUBE	SUS304
	BASE RING	SUS304

Features:

- SQUARE PIPE 38.5mm
- THICKNESS 1.2mm
- CHROME PLATED FINISH

NZ-P400-3



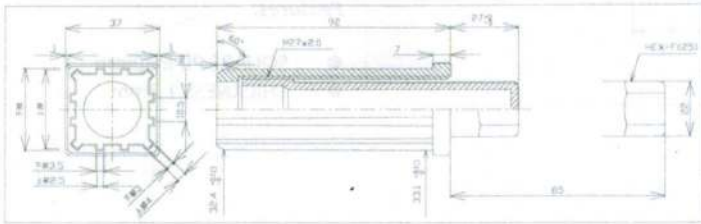
ITEM NO.	NZ-P400-3	
MINIMUM LENGTH	24mm	
MAXIMUM LENGTH	51mm	
MATERIALS	BODY	ZINC DIECAST
	LEG	ZINC DIECAST
	LEG TUBE	SUS304
	BASE RING	SUS304

Features:

- SQUARE PIPE 35mm
- THICKNESS 1.2mm
- CHROME PLATED FINISH

ZINC DIECAST SQUARE PIPE ADJUST LEGS

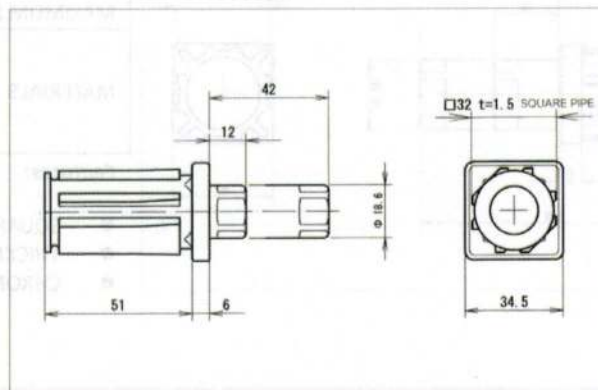
NZ-P400-3L



ITEM NO.	NZ-P400-3L	
MINIMUM LENGTH	27mm	
MAXIMUM LENGTH	85mm	
MATERIALS	BODY	ZINC DIECAST
	LEG TUBE	SUS304
	LEG	SUS430

ALUMINUM DIECAST ADJUST LEG FOR 32MM SQUARE PIPE

NZ-PA400-4



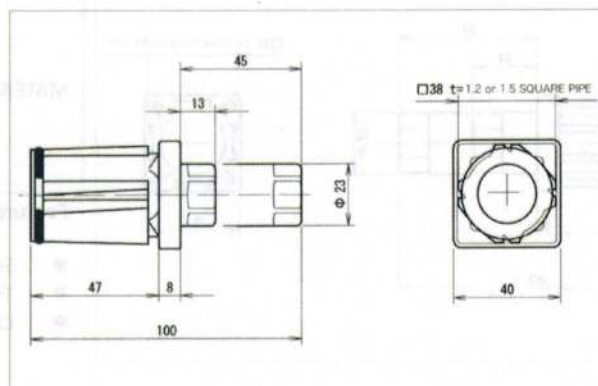
ITEM NO.	NZ-PA400-4	
MINIMUM LENGTH	12mm	
MAXIMUM LENGTH	42mm	
MATERIALS	BODY	AL DIECAST
	LEG	AL DIECAST
	LEG TUBE	SUS304
	BASE RING	SUS304

Features:

- SQUARE PIPE 32mm
- THICKNESS 1.5mm
- Take the leg out from bottom and replace with NZ-P400-4R

ALUMINUM DIECAST ADJUST LEG FOR 38MM SQUARE PIPE

NZ-PA400-5



ITEM NO.	NZ-PA400-5	
MINIMUM LENGTH	13mm	
MAXIMUM LENGTH	45mm	
MATERIALS	BODY	AL DIECAST
	LEG	AL DIECAST
	LEG TUBE	SUS304
	BASE RING	SUS304

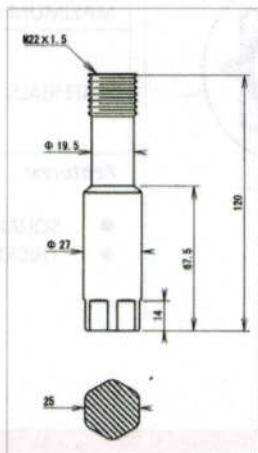
Features:

- SQUARE PIPE 38mm
- THICKNESS 1.2mm or 1.5mm
- Take the leg out from bottom and replace with NZ-P400-5R

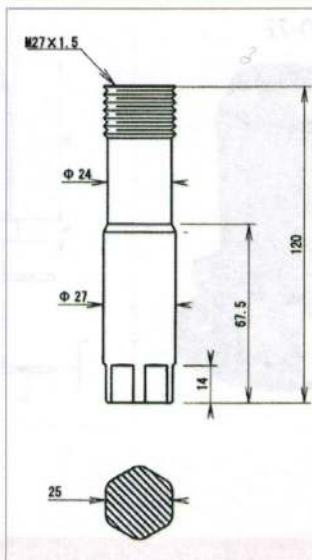
EXTRA LONG LEG FOR SQUARE PIPE

NZ-P400-5R

NZ-P400-4R



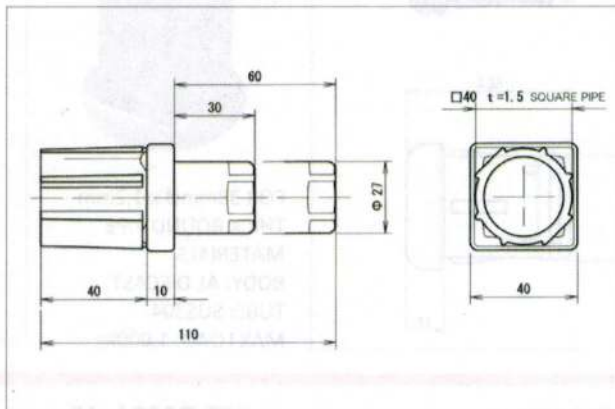
FOR 32mm SQUARE PIPE
MATERIAL: STEEL



FOR 38mm SQUARE PIPE
MATERIAL: STEEL

ALUMINUM DIECAST LEGS

NZ-PA400-6

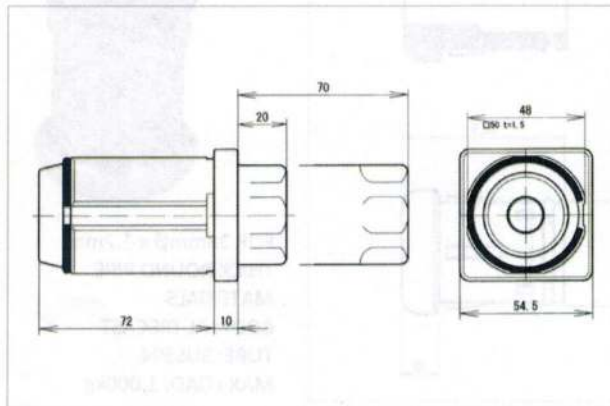


ITEM NO.	NZ-PA400-6	
MINIMUM LENGTH	30mm	
MAXIMUM LENGTH	60mm	
MATERIALS	BODY	AL DIECAST
	LEG	AL DIECAST
	LEG TUBE	SUS304
	BASE RING	SUS304

Features:

- SQUARE PIPE 40mm
- THICKNESS 1.5mm
-

NZ-P400-7

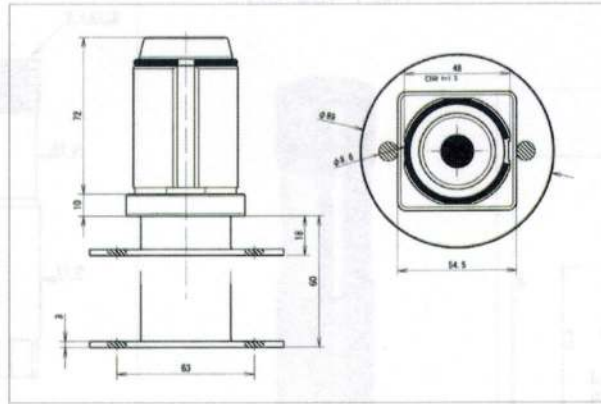


ITEM NO.	NZ-PA400-7	
MINIMUM LENGTH	20mm	
MAXIMUM LENGTH	70mm	
MATERIALS	BODY	AL DIECAST
	LEG	AL DIECAST
	LEG TUBE	SUS201
	BASE RING	SUS201

Features:

- SQUARE PIPE 50mm
- THICKNESS 1.5mm

NZ-P400-7F



ITEM NO.	NZ-PA400-7F	
MINIMUM LENGTH	18mm	
MAXIMUM LENGTH	60mm	
MATERIALS	BODY	AL DIECAST
	LEG	AL DIECAST
	LEG TUBE	SUS201
	BASE RING	SUS201

Features:

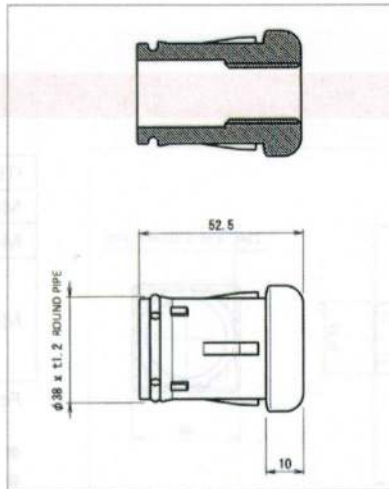
- SQUARE PIPE 50mm
- THICKNESS 1.5mm

ALUMINUM DIECAST PIPE BASE

NZ-P300A-3/4



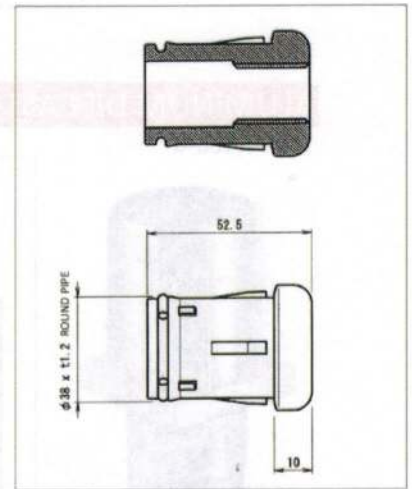
FOR 38mm ϕ x 1.2mm THICK ROUND PIPE
 MATERIALS
 BODY: AL DIECAST
 TUBE: SUS304
 MAX LOAD: 1,000kg



NZ-P300A-20



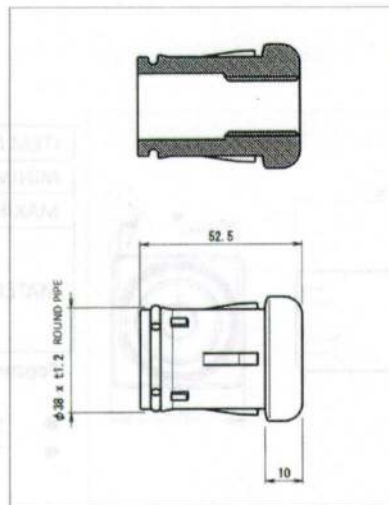
FOR 38mm ϕ x 1.2mm THICK ROUND PIPE
 MATERIALS
 BODY: AL DIECAST
 TUBE: SUS304
 MAX LOAD: 1,000kg



NZ-P300A-12



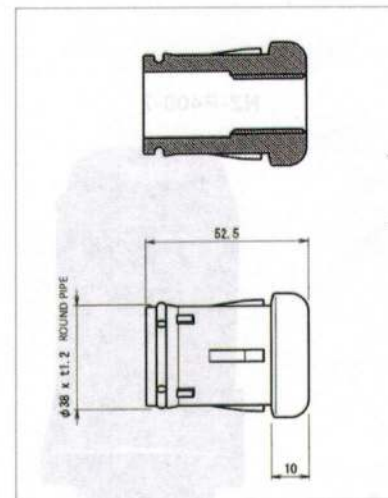
FOR 38mm ϕ x 1.2mm THICK ROUND PIPE
 MATERIALS
 BODY: AL DIECAST
 TUBE: SUS304
 MAX LOAD: 1,000kg



NZ-P300A-16



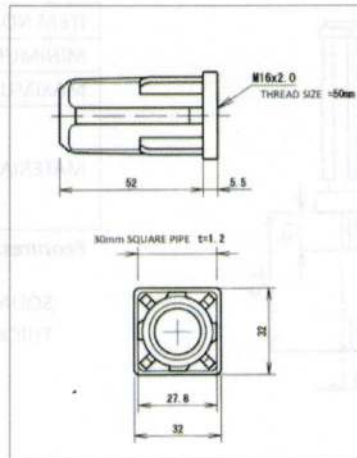
FOR 38mm ϕ x 1.2mm THICK ROUND PIPE
 MATERIALS
 BODY: AL DIECAST
 TUBE: SUS304
 MAX LOAD: 1,000kg



NZ-PA400/M16

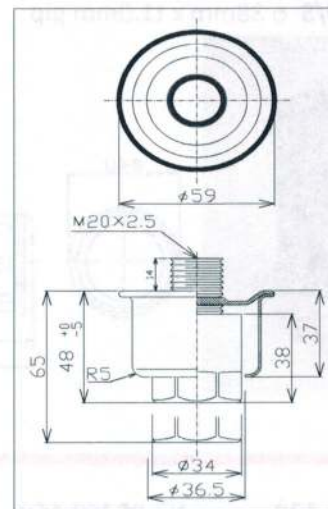


MATERIALS
 BODY: AL DIECAST
 BASE: SUS304



φ 38 PIPE ADJUST LEG

NZ-PA250/S



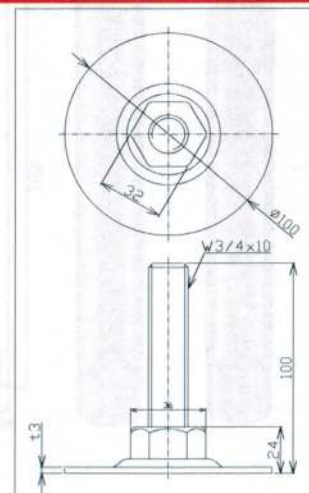
ITEM NO.	NZ-PA250/S	
MINIMUM LENGTH	28mm	
MAXIMUM LENGTH	70mm	
MATERIALS	BODY	Al Die-Cast
	LEG	SUS304+

LEVEL ADJUST LEG

H-100-6

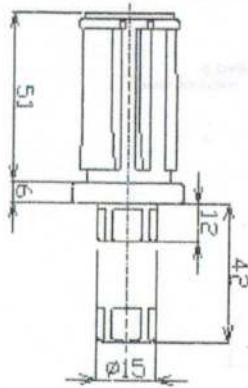
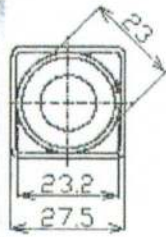


MATERIAL	SUS430 HL
Thread x Length	W3/4 x 100mm



PLASTIC CABINET LEGS

NZ-PP400-25



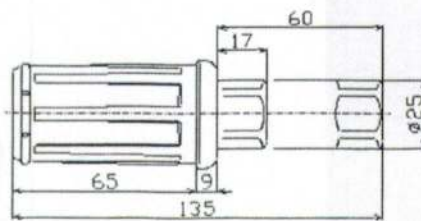
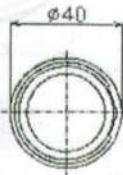
ITEM NO.	NZ-PP400-25	
MINIMUM LENGTH	18mm	
MAXIMUM LENGTH	48mm	
MATERIALS	BODY	PP PLASTIC
	LEG	PP PLASTIC
	LEG TUBE	SUS304
	BASE RING	SUS304

Features:

SQUARE PIPE OUTSIDE 1"
THICKNESS 1.2mm

NZ-PP250 ϕ 38mm x t1.2mm pipe

NZ-PP250/S ϕ 38mm x t1.0mm pip

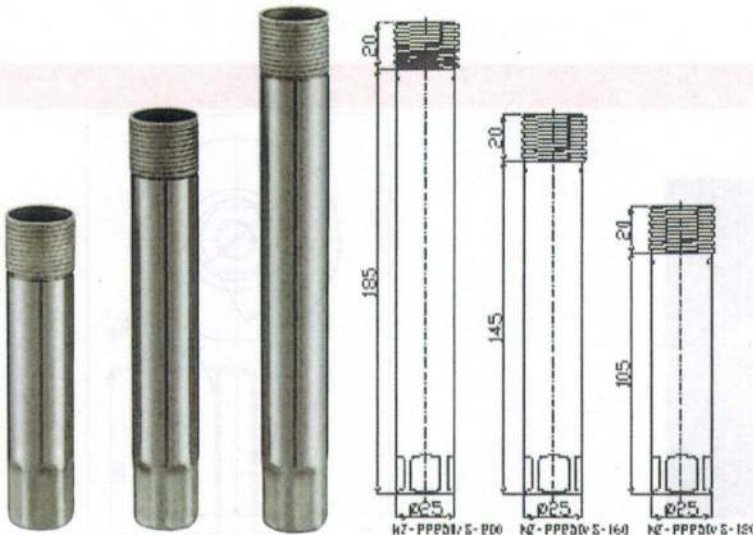


ITEM NO.	NZ-PP250	
MINIMUM LENGTH	26mm	
MAXIMUM LENGTH	69mm	
MATERIALS	BODY	PP PLASTIC
	LEG	PP PLASTIC
	LEG TUBE	SUS304
	BASE RING	SUS304

NZ-PP250-120

NZ-PP250-160

NZ-PP250-200

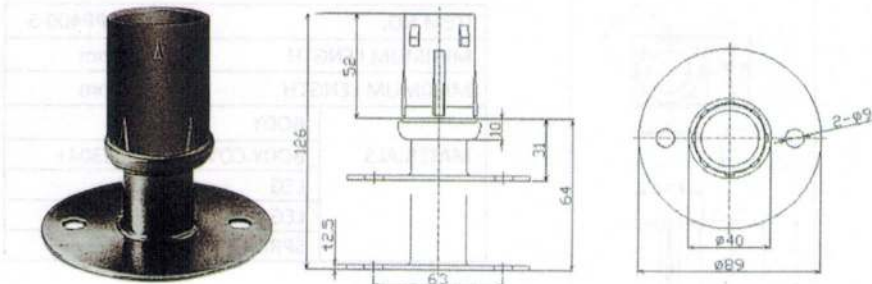


ITEM NO.	NZ-PP250-120 NZ-PP250-160 NZ-PP250-200	
MATERIALS	BODY	PP PLASTIC
	LEG	PP PLASTIC
	LEG TUBE	SUS304
	BASE RING	SUS304

Features:

- 38mm ϕ REPLACEMENT FOR NZ-PP250
- 38mm ϕ , 1.0mm THICK ROUND PIPE ONLY CAN BE REPLACED.

NZ-PP350

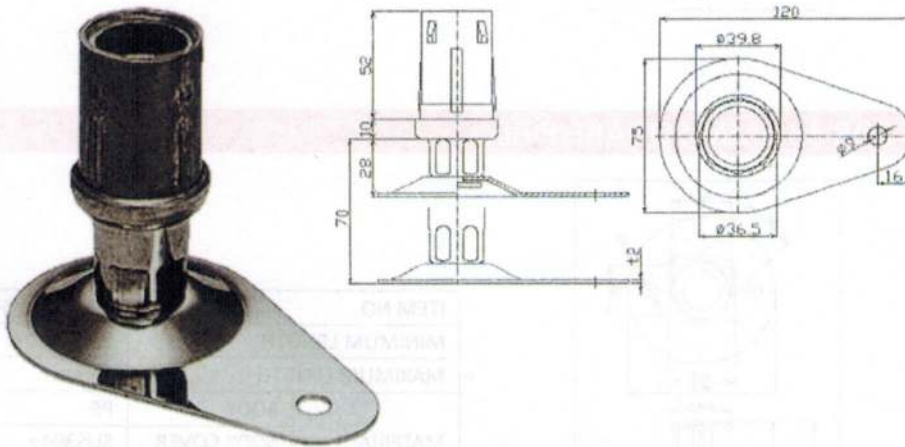


ITEM NO.	NZ-PP350	
MINIMUM LENGTH	31mm	
MAXIMUM LENGTH	64mm	
MATERIALS	BODY	PP PLASTIC
	LEG	PP PLASTIC
	LEG TUBE	SUS304
	BASE RING	SUS304

Features:

- 38mmØ x 1.2mm THICK PIPE W/Ø BASE
- ANTI-CORROSION

NZ-PA650



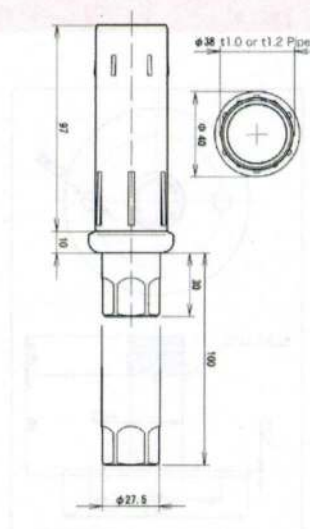
ITEM NO.	NZ-PP650	
MINIMUM LENGTH	28mm	
MAXIMUM LENGTH	70mm	
MATERIALS	BODY	PP PLASTIC
	LEG	PP PLASTIC
	LEG TUBE	SUS304
	BASE RING	SUS304

Features:

- 38mmØ x 1.2mm THICK PIPE PLASTIC LEG W/OVAL BASE FOR EARTH-QUAKE
- ANTI-CORROSION

NZ-PP550 φ 38 X t1.2mm

NZ-PP550/S φ 38 X t1.0mm



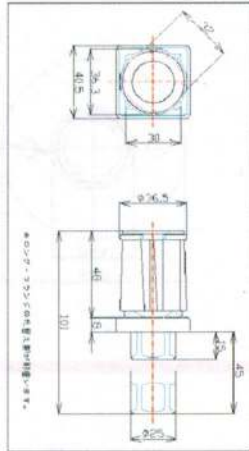
ITEM NO.	NZ-PP550 NZ-PP550/S	
MINIMUM LENGTH	40mm	
MAXIMUM LENGTH	110mm	
MATERIALS	BODY	PP PLASTIC
	LEG	PP PLASTIC
	LEG TUBE	SUS304
	BASE RING	SUS304

Features:

- ROUND PIPE Ø38mm
- ANTI-CORROSION

ADJUST LEG FOR 38.5MM SQUARE PIPE

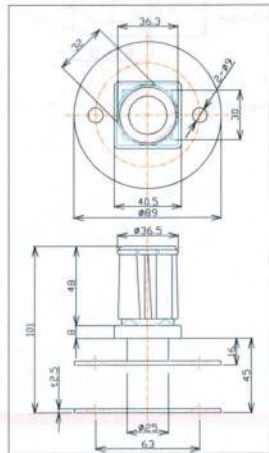
NZ-PP400-5



ITEM NO.	NZ-PP400-5	
MINIMUM LENGTH	25mm	
MAXIMUM LENGTH	55mm	
MATERIALS	BODY	PP
	BODY COVER	SUS304+
	LEG	PP
	LEG COVER	US304
	SPRING	STEEL

ADJUST LEG WITH FLANGE FOR 38.5MM SQUARE PIPE

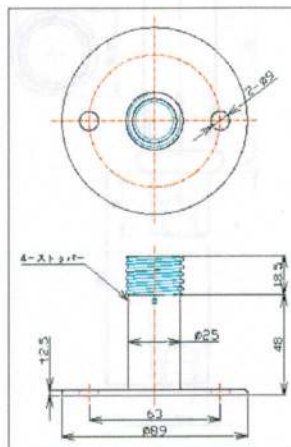
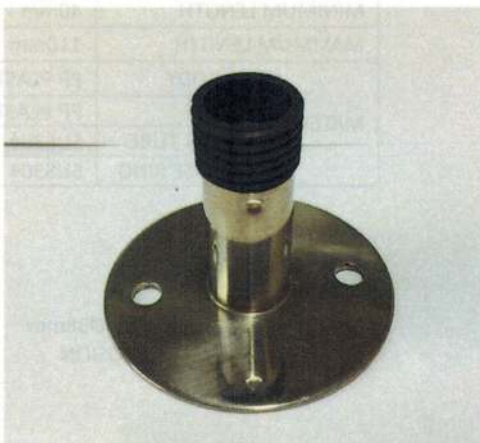
NZ-PP400-5F



ITEM NO.	NZ-PP400-5F	
MINIMUM LENGTH	25mm	
MAXIMUM LENGTH	55mm	
MATERIALS	BODY	PP
	BODY COVER	SUS304+
	LEG	PP
	LEG COVER	US304
	SPRING	STEEL

LEVEL ADJUST LEG

NZ-PP350F



CAN BE USDE FOR :-

NZ^PP250
 NZ-PP250/S
 NZ-PP550
 NZ-PP550/S
 NZ-PP400-5

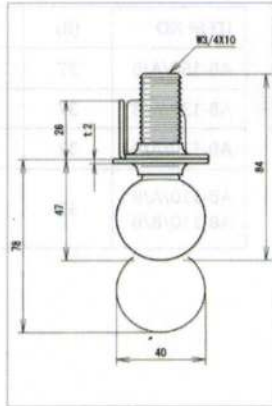
MATERIALS	BODY	PP
	LEG	SUS304+

ADJUSTABLE BALL

NZ-AB-110/A



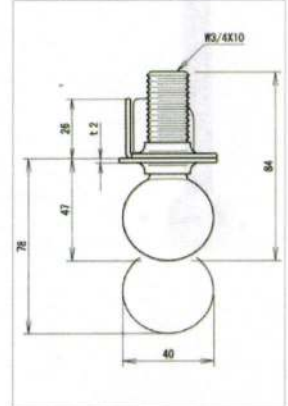
BALL: SUS304
 BASE: SUS304
 MINIMUM: 47mm
 MAXIMUM: 78mm



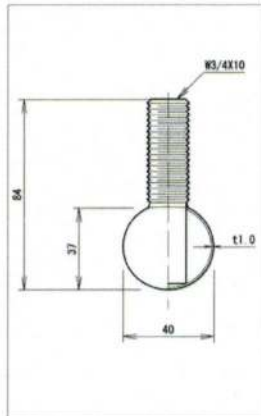
NZ-AB-110/B



BALL: SUS430
 BOLT: SUS304
 BASE: SUS304
 MINIMUM: 47mm
 MAXIMUM: 78mm



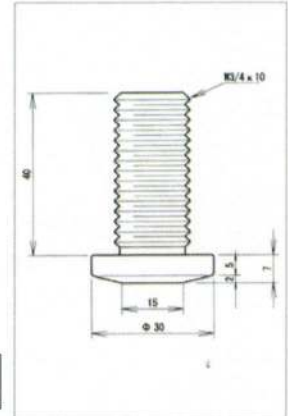
NZ-AB-200/A/B



NZ-AB-W3040



ONE PIECE OF CONSTRUCTION



REPLACEMENT LEGS

NZ-AB-150/A/B
 LENGTH: 187mm
 MATERIAL: SUS304

NZ-AB-130/A/B
 LENGTH: 147mm
 MATERIAL: SUS304

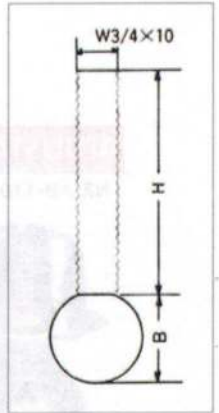
NZ-AB-120/A/B
 LENGTH: 119mm
 MATERIAL: SUS304

NZ-AB-110/A/B LENGTH: 84mm
 MATERIAL: SUS304

NZ-AB-110/B/B
 LENGTH: 84mm
 MATERIALS: (BOLT) SUS430, (BALL) SUS304

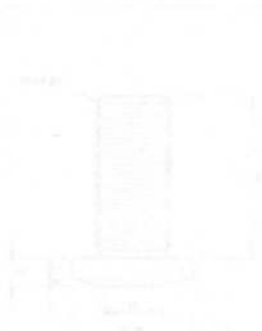


ITEM NO	(B)	(H)
AB-150/A/B	37	150
AB-130/A/B	37	110
AB-120/A/B	37	82
AB-110/A/B AB-110/B/B	37	47



NZ-AB-150/A/B

NZ-AB-130/A/B



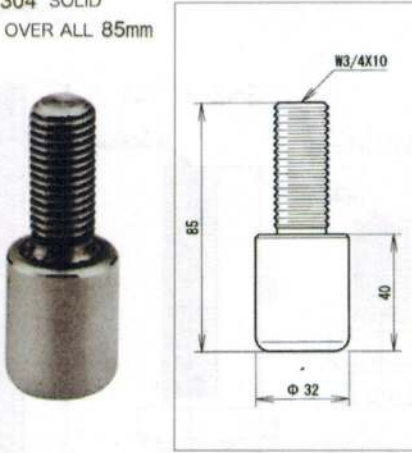
REPLACEMENT LEGS

REPLACEMENT LEGS

SUS304 ADJUST BALL (One Piece of Solid Construction for Heady Duty)

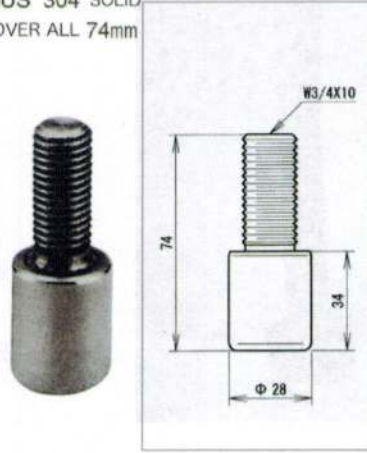
NZ-AB-180/A/B

SUS 304 SOLID
OVER ALL 85mm



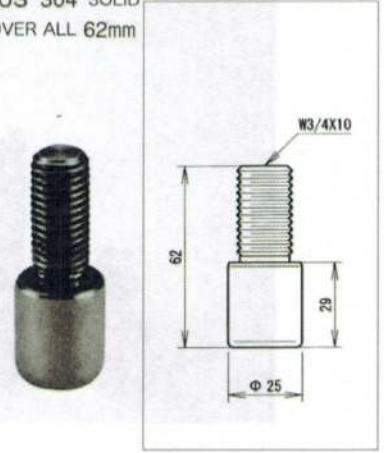
NZ-AB-170/A/B

SUS 304 SOLID
OVER ALL 74mm



NZ-AB-160/A/B

SUS 304 SOLID
OVER ALL 62mm

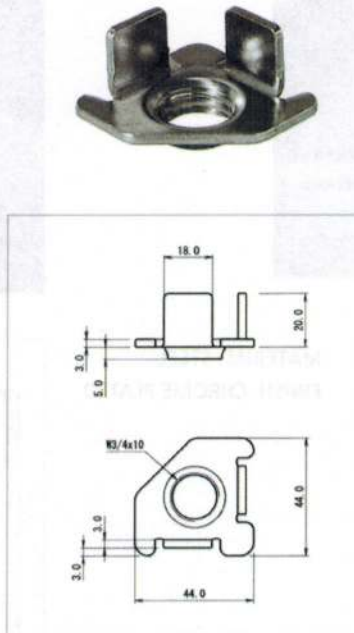


THOSE BASES ARE USED FOR ALL ABOVE LEGS.

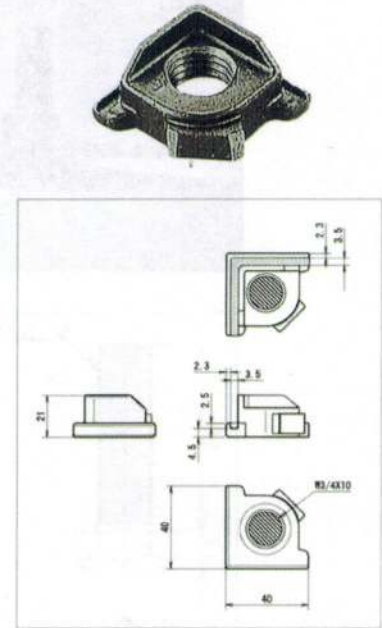
NZ-AB-110/A/Z
MATERIAL: SUS304
BOLT: W3/4 X 10



BM-B/Z
MATERIAL: SUS430
BOLT: W3/4 X 10



LNZ-AE109
MATERIAL: SUS304, LOST WAX
BOLT: W3/4 X 10

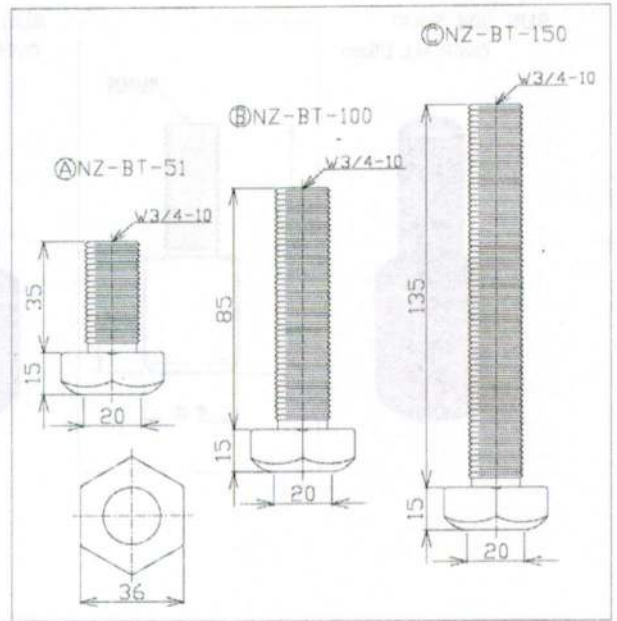


LEVEL ADJUST LEG

NZ-BT-51

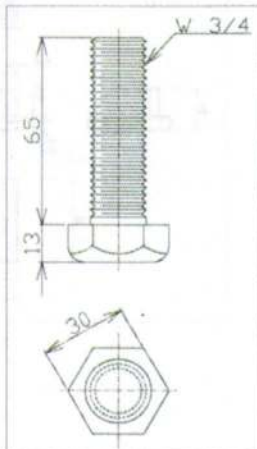
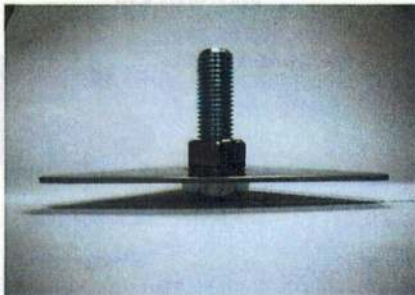
NZ-BT-100

NZ-BT-150



MATERIAL	SUS304	
FINISH	MIRROR POLISH	
THREADS	W3/4	
OVERALL	NZ-BT-51	50mm
	NZ-BT-100	100mm
	NZ-BT-150	150mm

NZ-BTC-65

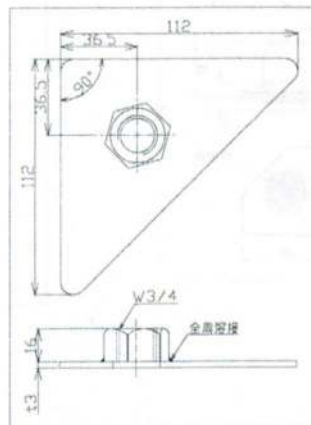


MATERIAL: STEEL
FINISH: CHROME PLATED

NZ-R270N

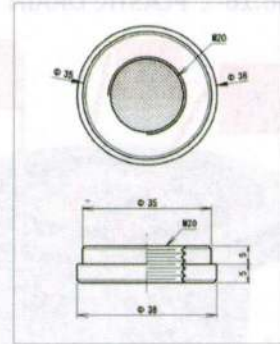


MATERIAL:
SUS304 (NUT W3/4" x 10)
SUS430 (BASE PLATE/ T3.0mm)



NZ-D38-M20

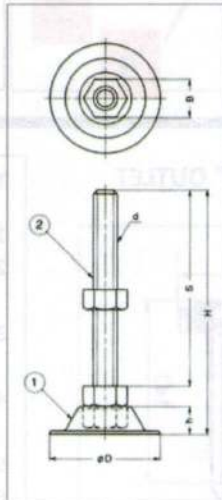
MATERIAL: SUS304, LOST WAX
38mmØ x M20 THREAD



SUS304 LOST WAX HEAVY DUTY LOST WAX BASE

LEVEL ADJUST LEGS

STAINLESS LEVEL BOLT



NO.	PARTS	MATERIALS
1	BODY	SUS304
2	THREADS	SUS304

ITEM NO.	D	H	h	S	B	d
ADPS75-16-100	75	128	18	100	24	M16x2
ADPS75-20-100	75	131	18	100	30	M20x2.5
ADPS75-20-130	75	161	18	130	30	M20x2.5

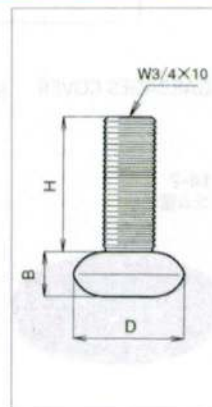
FINISH: ELECTRO POLISH

SUS304 OVAL LOWER ADJUSTABLE LEG

NZ-AB-65/B/B
SUS 304
OVERALL 65mm

NZ-AB-55/B/B
SUS 304
OVERALL 51mm

NZ-AB-45/B/B
SUS 304
OVERALL 41mm



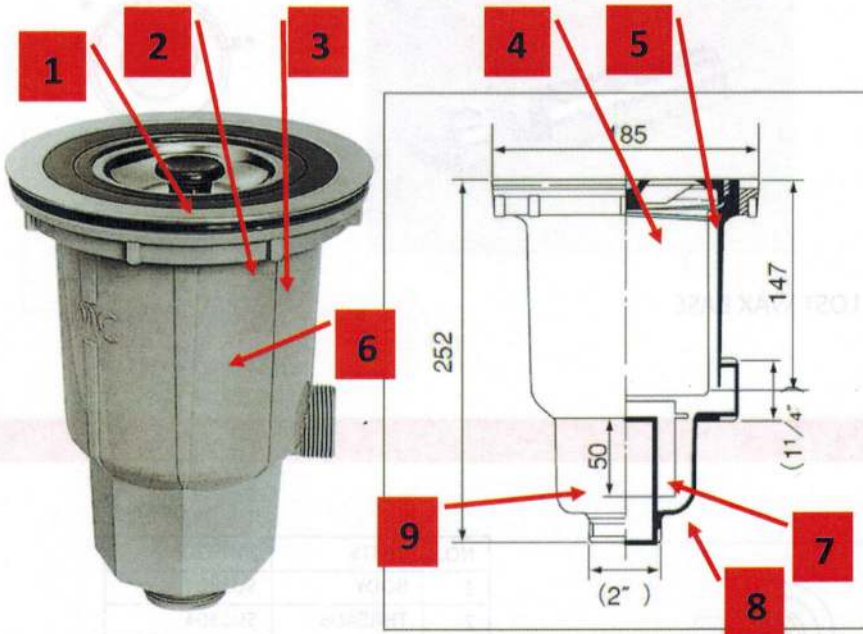
SCREW : W3/4 X 10

ITEM NO.	D	B	H
NZ-AB-65/B/B	39	16	49
NZ-AB-55/B/B	39	16	35
NZ-AB-45/B/B	39	16	25

OVAL BALLS ARE FOR LOWER CABINET.

SUS304 HEAVY DUTY DRAIN FOR CHEMICAL, MEDICAL FACTORIES, HOSPITAL AND SCHOOLS

No.16-1 PLASTIC DRAIN WITH 1 1/4" OVERFLOW WITH 2" OUTLET



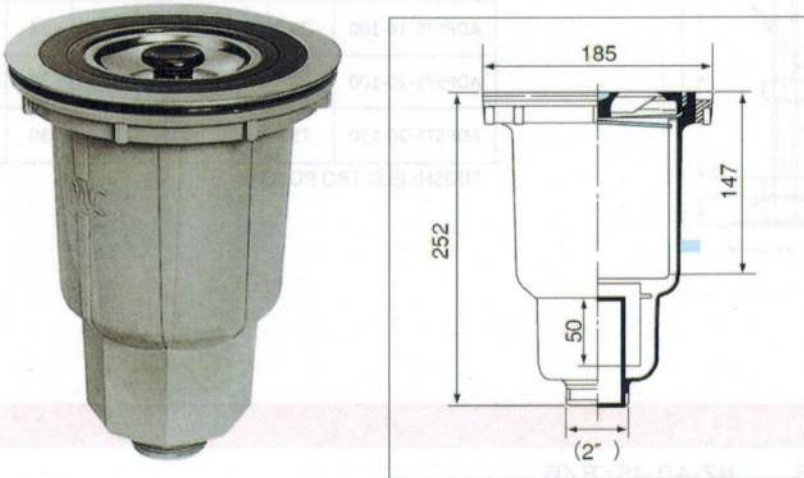
This plastic drain consists of

1. Nylon Rim
2. White plastic PVC gasket ring for easy water tight.
3. Two rubber ring gaskets for safe water tight.
4. SUS304 Stainless steel Cover with rubber Rim.
5. Rubber garbage filter.
6. SUS304 one construction basket.
7. Plastic odor-free cup
8. Plastic odor-free tube
9. 50mm deep water seal

Accordingly, no bad smell, nor any insect such as cockroach would ever come up.

And if odor-free tube is taken out of the unit, the whole inside drain can be easily cleaned for sanitation.

No.16-3 PLASTIC DRAIN WITHOUT OVERFLOW WITH 2" OUTLET



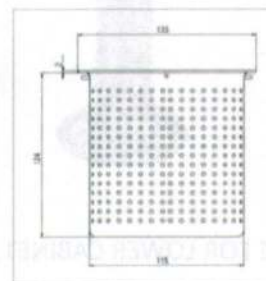
This plastic drain consists of

1. Plastic Knob
2. White plastic PVC gasket ring for easy water tight.
3. Two rubber ring gaskets for safe water tight.
4. SUS304 Stainless steel Cover with rubber Rim.
5. Rubber garbage filter.
6. SUS304 one construction basket.
7. Plastic odor-free cup
8. Plastic odor-free tube
9. 50mm deep water seal

Accordingly, no bad smell, nor any insect such as cockroach would ever come up.

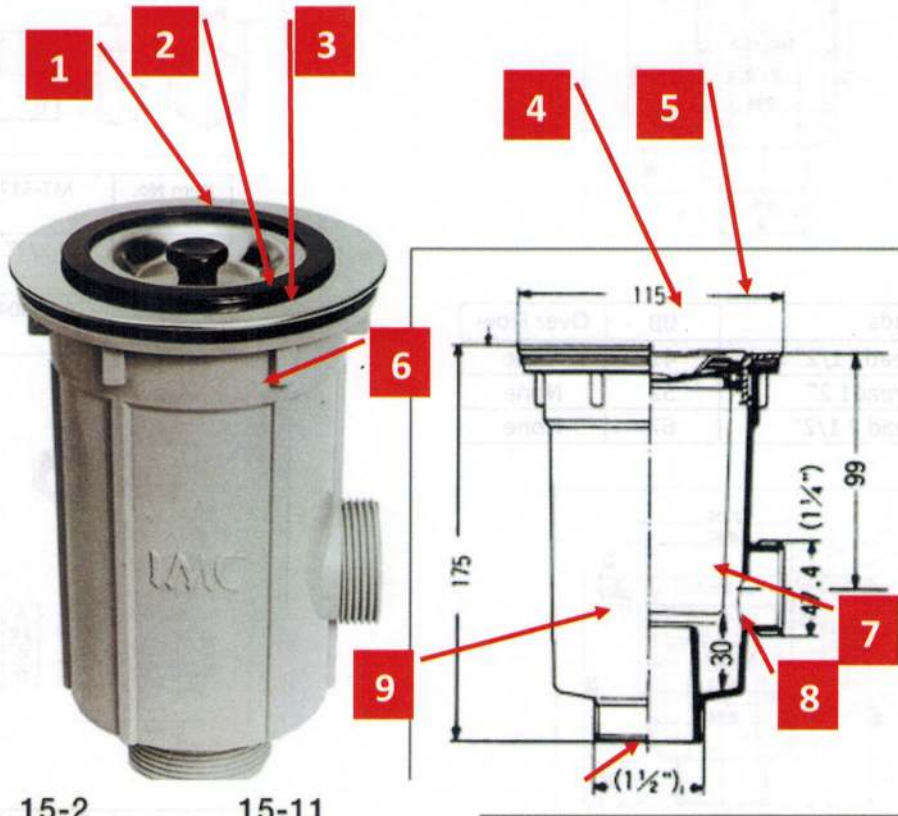
And if odor-free tube is taken out of the unit, the whole inside drain can be easily cleaned for sanitation.

SUS304 COVER WITH NYLON RIM RUBBER GARBAGES COVER SUS304 ONE CONSTRUCTION BASKET



SUS304 HEAVY DUTY DRAIN FOR CHEMICAL, MEDICAL FACTORIES, HOSPITAL AND SCHOOLS

No.15-4 PLASTIC DRAIN WITH 1 1/4" OVERFLOW WITH 1 1/2" OUTLET



This plastic drain consists of

1. Nylon Rim
2. White plastic PVC gasket ring for easy water tight.
3. Two rubber ring gaskets for safe water tight.
4. SUS304 Stainless steel Cover with rubber Rim.
5. Rubber garbage filter.
6. SUS304 one construction basket.
7. Plastic odor-free cup
8. Plastic odor-free tube
9. 30mm deep water seal

Accordingly, no bad smell, nor any insect such as cockroach would ever come up.

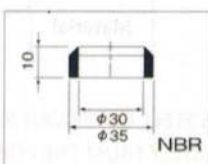
Since the height is lower, you can easily clean the inside all of drain for sanitation.

Besides, body is made out of

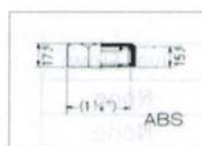


If you do not require a side wall overflow, please use the following rubber packing and water flow cap.

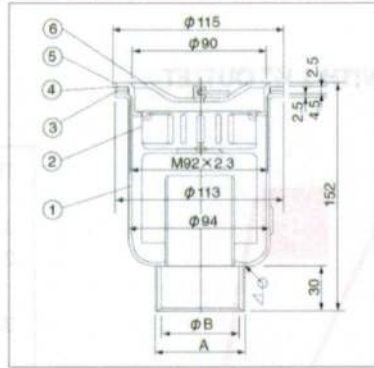
127 - 2 (FOR 1 1/4")
RUBBER PACKING



127 - 3 (FOR 1 1/4")
WATER FLOW CAP

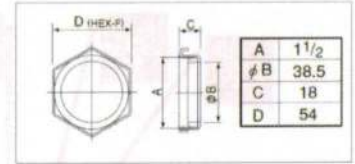


SUS304 HEAVY DUTY DRAIN FOR CHEMICAL, MEDICAL FACTORIES, HOSPITAL AND SCHOOLS

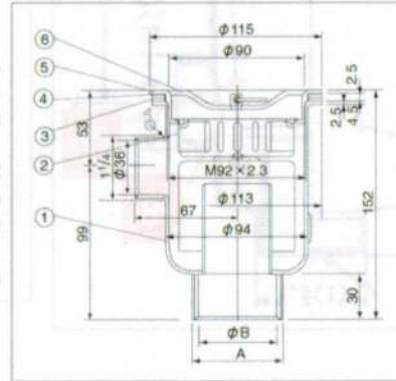


Item No.	Threads	ØB	Over Flow
MT-306	Outside thread 1 1/2"	41	None
MT-307	Outside thread 1 2"	52	None
MT-308	Outside thread 2 1/2"	67	None

1 1/2用

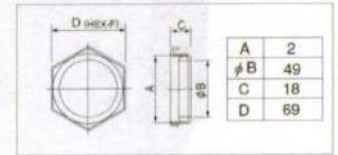


Item No.	MT-317
Threads	1 1/2"
Material	SUS 304

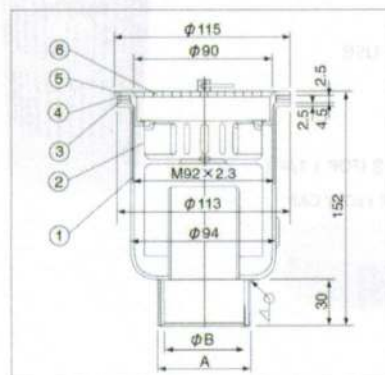


Item No.	Threads	ØB	Over Flow
MT-309	Outside thread 1 1/2"	41	Outside thread 1 1/4"
MT-310	Outside thread 2"	52	Outside thread 1 1/4"

2"用

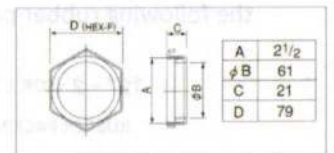


Item No.	MT-316
Threads	2"
Material	SUS 304



Item No.	Threads	ØB	Over Flow
MT-312	Outside thread 1 1/2"	41	None
MT-313	Outside thread 2"	52	None
MT-314	Outside thread 2 1/2"	67	None

2 1/2用

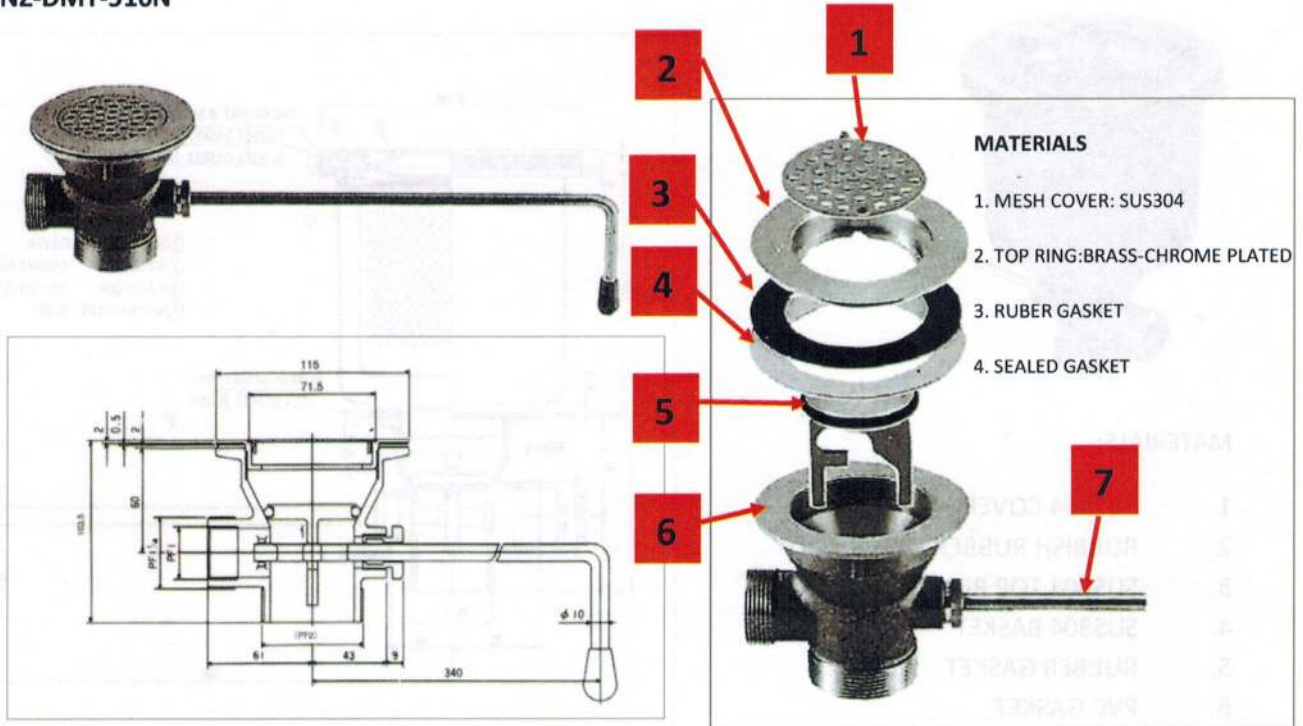


Item No.	MT-315
Threads	2 1/2"
Material	SUS 304

SUS304 STAINLESS STEEL COVER CAN NOT STOP WATER LEAKAGES COMPLETELY FROM THE POINT OF CONSTRUCTION. IF NECESSARY, PLEASE USE THE RIGHT SIDE.

SUS304 HEAVY DUTY DRAIN FOR CHEMICAL, MEDICAL FACTORIES, HOSPITAL AND SCHOOLS

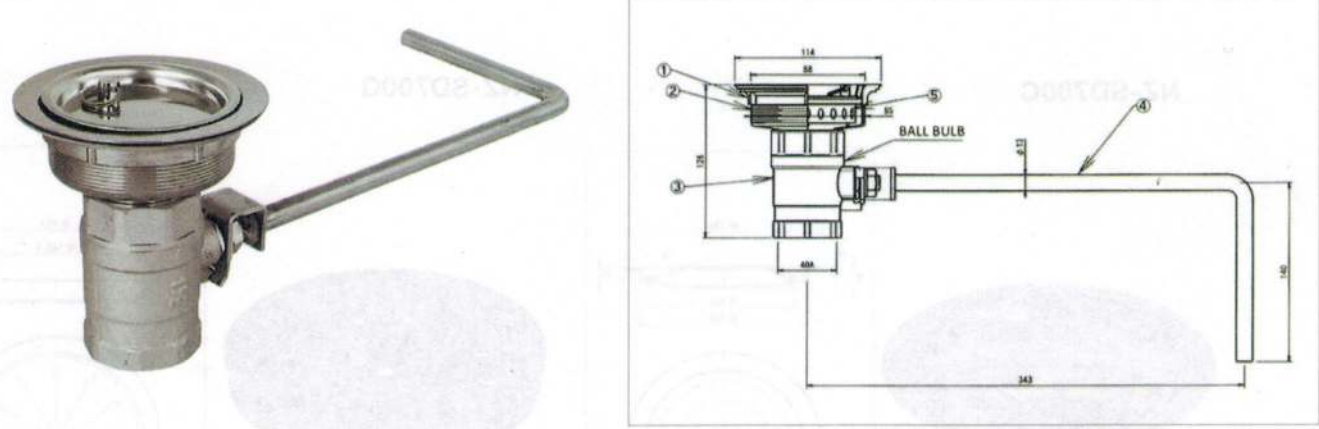
NZ-DMT-516N



- MATERIALS**
1. MESH COVER: SUS304
 2. TOP RING: BRASS-CHROME PLATED
 3. RUBER GASKET
 4. SEALED GASKET

THIS DRAIN MIGHT LEAK WATER LITTLE BY LITTLE, CANNOT STOP PERFECTLY.

DMT-515/H

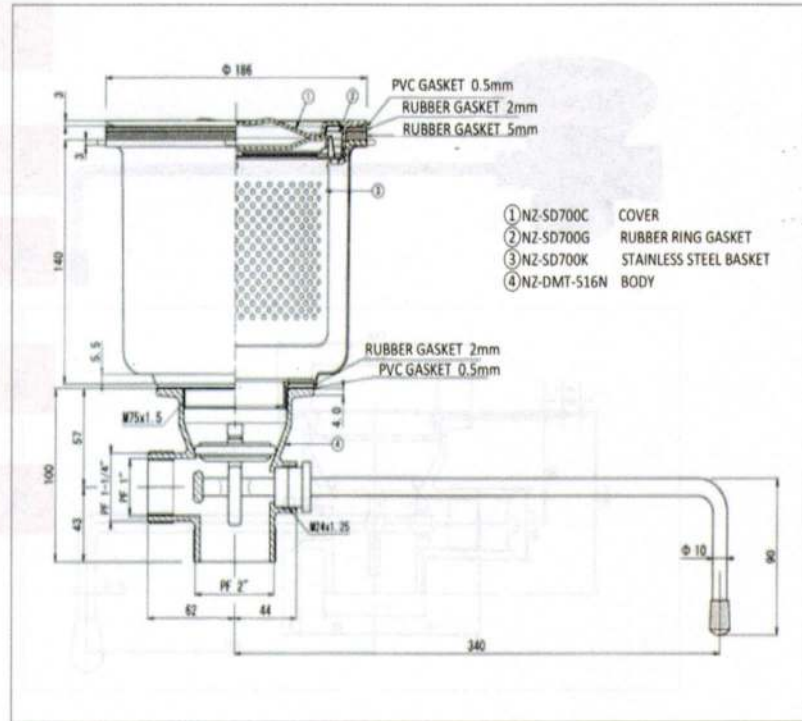


1. 114mmØ SUS430 STRAINER WITH ½" GAS THREADS
2. ZINC PLATED ZINC THREADS
3. BRASS CASTING BALL BULB BODY
4. 1.0mmØ SUS304 STAINLESS STEEL ROD

THIS DRAIN NEVER LEAKS WATER FROM THE BODY BECAUSE OF GAS BALL VALVE.

SUS304 HEAVY DUTY DRAIN FOR CHEMICAL, MEDICAL FACTORIES, HOSPITAL AND SCHOOLS

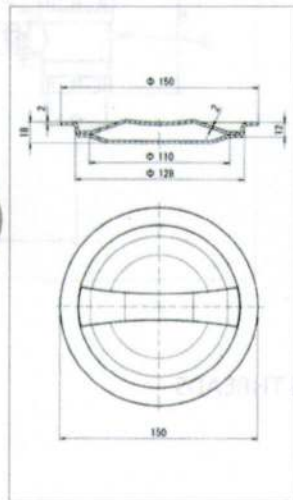
NZ-SD700-HC



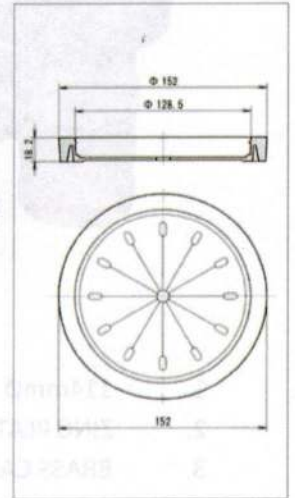
MATERIALS:

1. SUS304 COVER
2. RUBBISH RUBBER FILTER
3. SUS304 TOP RING
4. SUS304 BASKET
5. RUBBER GASKET
6. PVC GASKET
7. BRASS CASTING VALVE
8. BRASS CASTING DRAIN BODY
9. SUS304 10mm ϕ HANDLE

NZ-SD700C



NZ-SD700G



THIS DRAIN NEVER LEAKS WATER FROM THE BODY BECAUSE OF GAS BALL VALVE.

CHROME PLATED BRASS STRAINER

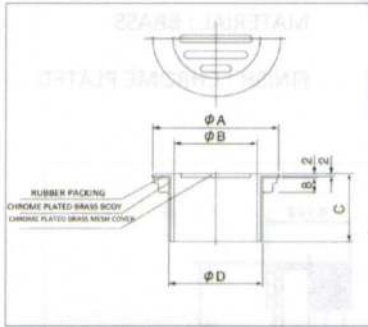
NZ-BS320/25A/43
NZ-BS320/25A/48

NZ-BS320/32A

NZ-BS320/40A

NZ-BS320/50A

NZ-BS320/75A



ITEM NO	A	B	C	D	THREAD
NZ-BS320/25A/43	43	28	27	32	PF-1
NZ-BS320/25A/48	48	28	27	32	PF-1
NZ-BS320//32A	57	37	34	41	PF-1 1/4"
NZ-BS320//40A	63	42	34	47	PF-1 1/2"
NZ-BS320//50A	77	52	38	58	PF-2
NZ-BS320/75A	115	80	62	81	PF-3

CHROME PLATED BRASS DRAIN

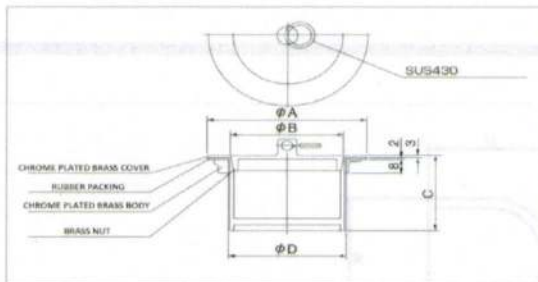
NZ-BD305/25A/43
NZ-BD305/25A/48

NZ-BD305/32A

NZ-BD305/40A

NZ-BD305/50A

NZ-BD305/75A



ITEM NO	A	B	C	D	THREAD
NZ-BD305/25A/43	43	29	27	32	PF-1
NZ-BD305/25A/48	48	29	27	32	PF-1
NZ-BD305//32A	57	37	34	41	PF-1 1/4"
NZ-BD305//40A	63	42	34	47	PF-1 1/2"
NZ-BD305//50A	77	53	38	58	PF-2
NZ-BD305/75A	115	80	62	79	PF-3

SUS304 STAINLESS STEEL BASKET

NZ-40-A

NZ-50-A

NZ-75-A



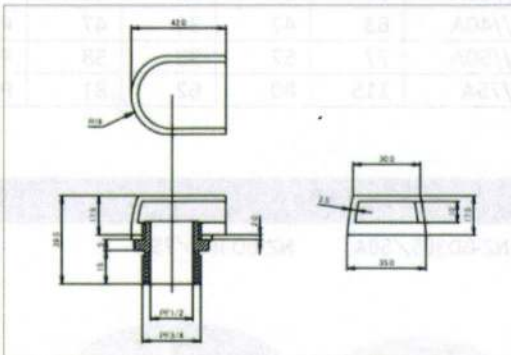
SUS304 STAINLESS WATER SUPPLYER AND DISPENSER

NZ-MT-522

INLET FITTING FOR USE FOR SUPPLYING WATER



MATERIAL: BRASS
FINISH: CHROME PLATED
THREAD: INSIDE PF 1/2

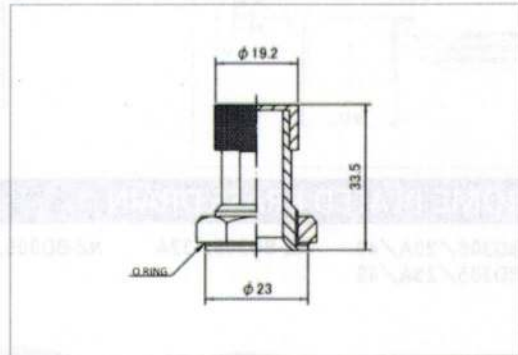


NZ-MT-FP

FRY OIL STOPPER



MATERIAL : BRASS
FINISH : CHROME PLATED

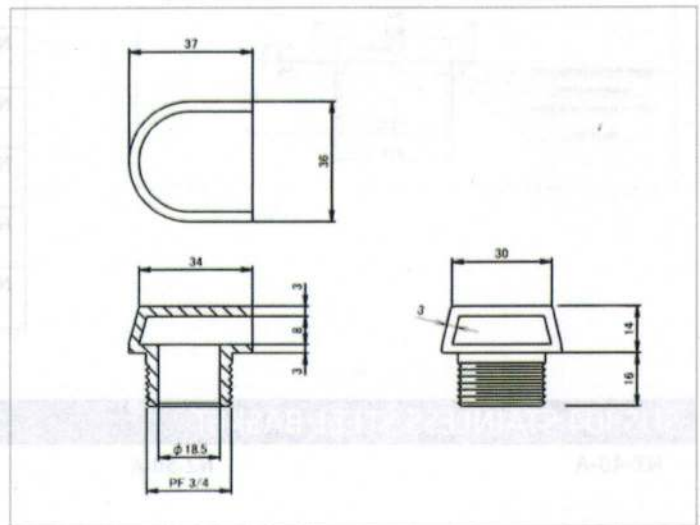


NZ-MT522S

OUTLET FITTING FOR USE ON FOODS WATER DISPENSER



MATERIAL: SUS304 LOST WAX
FINISH: MIRROR POLISH

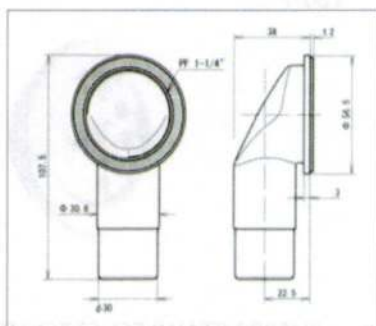


1 1/4" OF OVERFLOW AND MESH COVER

130-4



PLASTIC



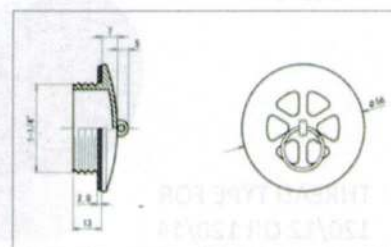
Insert into flexible tube.

Please refer to No.120-7

NZ-OF085



WITH DOUBLE RING



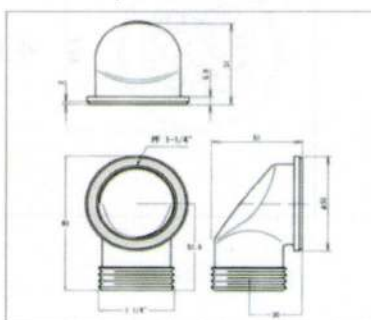
Chrome plated zinc.

Threads: 1 1/4" Gas threads

130-6



PLASTIC

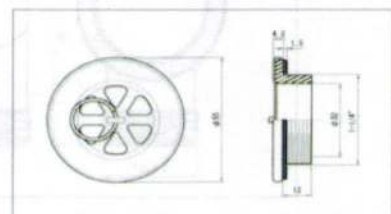


Insert into NZ-130-2 & NZ-130-2B long elbow and fix with 1 1/4" nut.

130-5



WITH DOUBLE RING

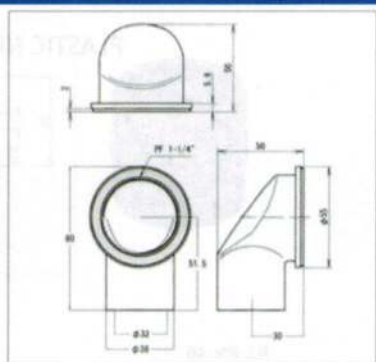


SUS304 Mesh cover with plastic backside.

130-10

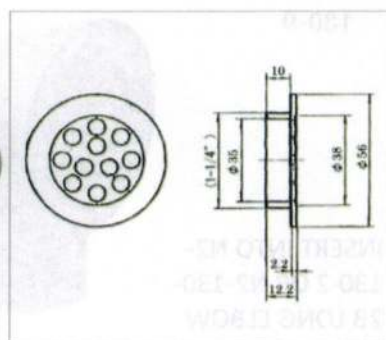


PLASTIC



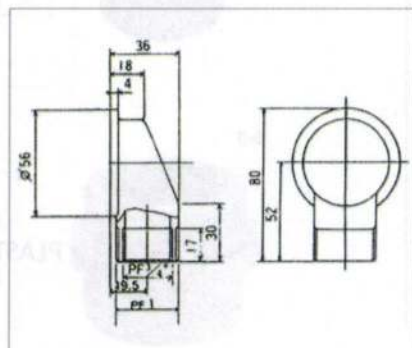
Insert into NZ-130-2 & NZ-130-2B long elbow

NZ-OF-90



SUS304 Stainless steel lost wax.

NZ-OF-100



THIS OVERFLOW IS USED WITH ABOVE NZ-OF-90 MESH COVER FOR NEEDS OR VERY HOT COCKING.

SUS304 Stainless steel lost wax.

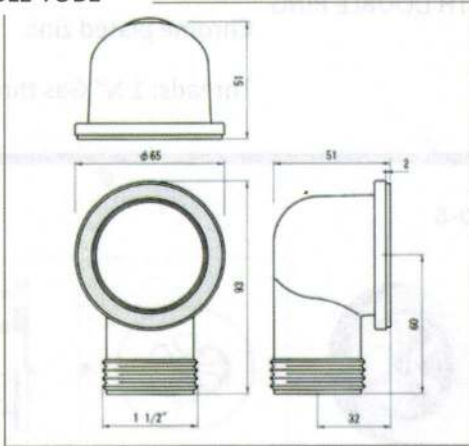
Mirror polish

1 1/2" OF OVERFLOW AND MESH COVER

130-8



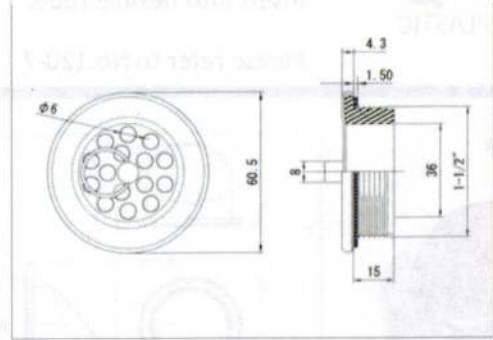
THREAD TYPE FOR
120/12 OR 120/14
FLEXIBLE TUBE



130-7



SUS304 STAINLESS STEEL WITH PLASTIC BACKSIDE

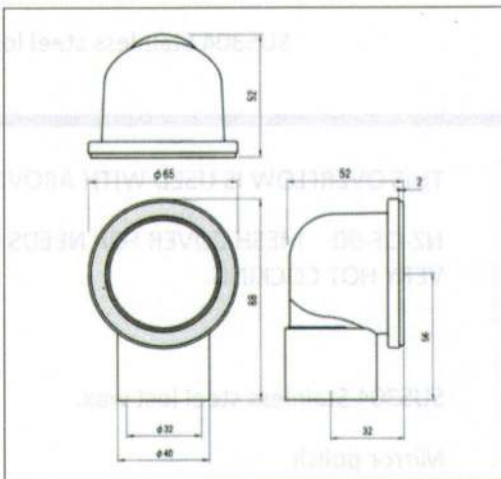


1 1/2" OVERFLOW

130-9



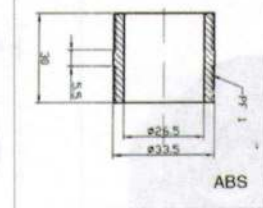
INSERT INTO N2-
130-2 OR N2-130-
2B LONG ELBOW



NZ-PN-25



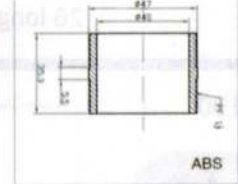
PLASTIC NIPPLE 1" x 1"



NZ-PN-40



PLASTIC NIPPLE 1 1/2" x 1 1/2"



9-3

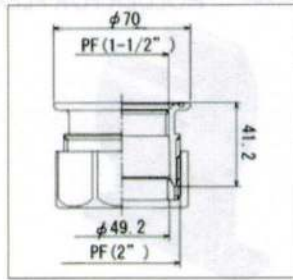


PLASTIC NIPPLE 2" x 2"



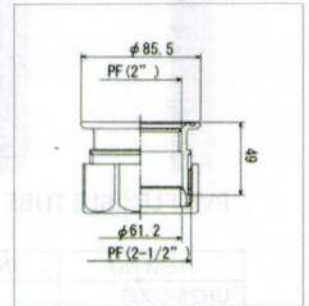
ADOPTER TO MAKE A WIDER DIA. FLEXIBLE TUBE FOR QUICK FLUSH

AP-40-50



ADOPTER NUT TO CHANGE TO PF2" FROM PF1 1/2"

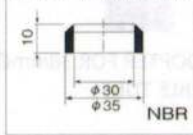
AP-50-65



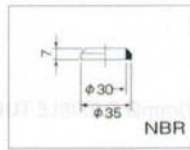
127-2 (FOR 1 1/4")



HEAVY TRIANGLE PACKING



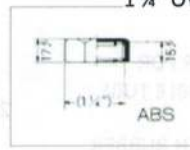
127-2S (FOR 1 1/4")



127-3 (FOR 1 1/4")



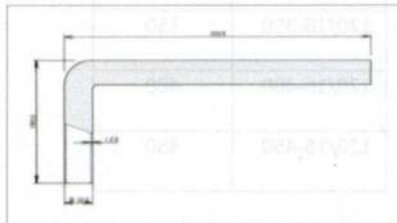
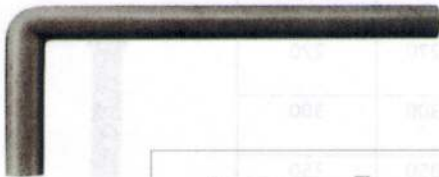
1 1/4" OVERFLOW SEALED CAP



LONG ELBOWS

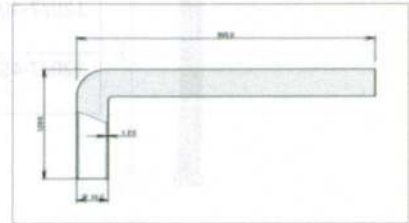
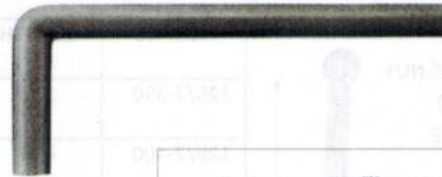
NZ-130-2

350mm LONG ELBOW



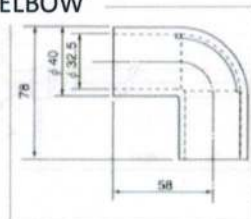
NZ-130-2B

305mm LONG ELBOW



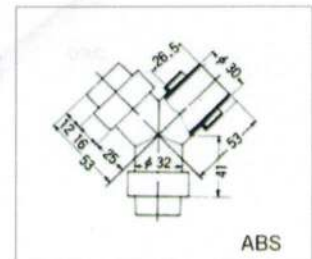
MT-535 (25A)

PLASTIC ELBOW



28-11

TRIPPLE TUBE



FLEXIBLE TUBES

UH38-5000
φ 38



UH30-5000
φ 30



UH25-5000
φ 25

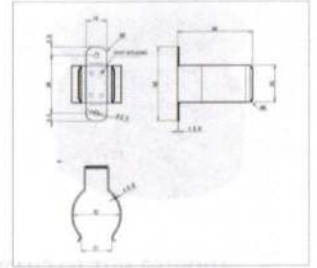


PVC FLEXIBLE TUBE

ITEM NO	INSIDE DIA	ROLL LENGTH
UH25-5000	Ø25	5m
UH30-5000	Ø30	5m
UH38-5000	Ø38	5m

NZ-HH2530

HOLDER FOR FLEXIBLE TUBE



120/11
1-1/2"



ADOPTER FOR 30mmØ FLEXIBLE TUBE

1 1/2" ADOPTER FOR 30mmØ FLEXIBLE TUBE

1 1/2" NUT WITH RUBBER PACKING

120/12



2" ADOPTER FOR 30mmØ FLEXIBLE TUBE

2" NUT WITH RUBBER PACKING

120/14



2" ADOPTER FOR 38mmØ FLEXIBLE TUBE

2" NUT WITH RUBBER PACKING

ROUND OVERFLOW WITH 30mmØ FLEXIBLE TUBE

120-7
1 1/4"

1 1/2" TRIPPLE NUT WITH 30mmØ FLEXIBLE HOSE



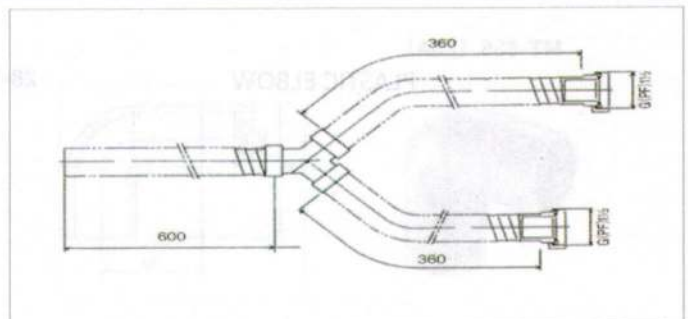
ITEM NO	LENGTH
120/7-350	350
120/7-400	400
120/7-450	450

NUT WITH 30mmØ ON BOTH SIDES

ITEM NO	LENGTH
120/16-270	270
120/16-300	300
120/16-350	350
120/16-400	400
120/16-450	450

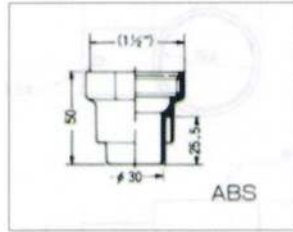


120-14
1 1/2"



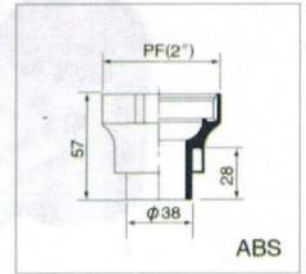
NUTS FOR FLEXIBLE TUBE

126-13
• 1 1/2"



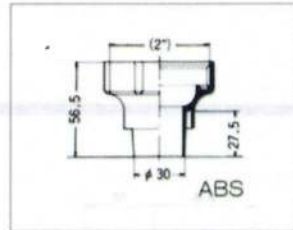
W/OUT RUBBER PACKING

126-14
2"

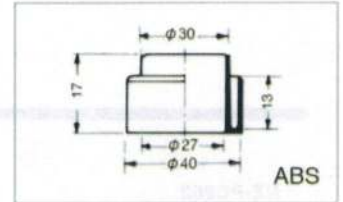


WITH RUBBER PACKING

26-12
2"

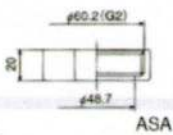


126-15

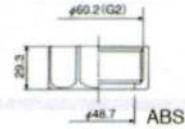


UNION NUT

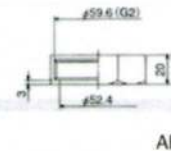
HOSE NUT 2"
26-1



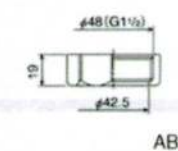
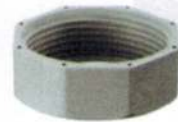
PF2" UNION NUT
123-6



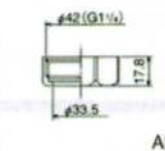
UNION NUT 2"
126-2



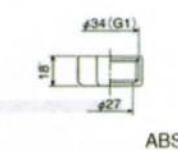
UNION NUT 1 1/2"
126-3



UNION NUT 1 1/4"
126-4

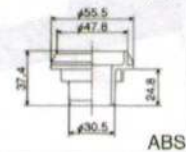


UNION NUT 1"
126-5

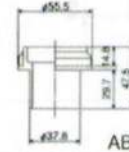


HOSE INNER

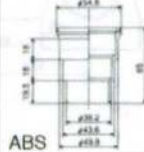
φ 30 2"
25-6



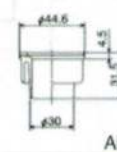
PF2"
23-7



2"
26-7



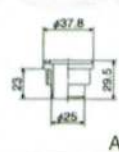
1 1/2"
126-8



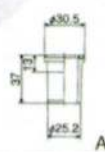
1 1/4"
126-9



1 1/4"
26-10



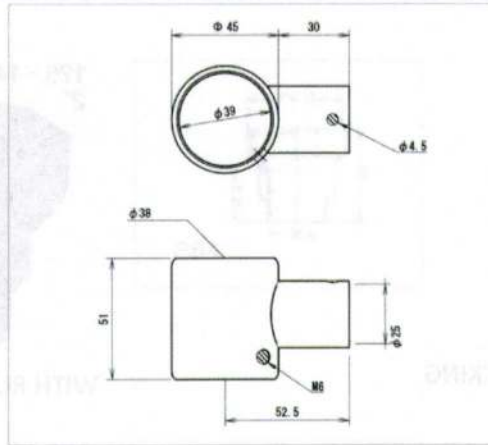
1"
126-11



SUS304 38mm ϕ ROUND PIPE JOINT WITH 25mm ϕ ROUND PIPE

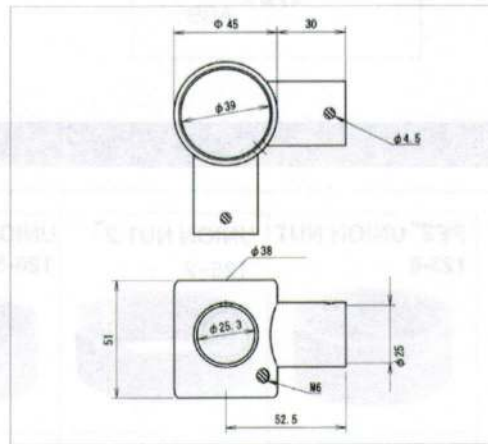
NZ-PC251

ONE WAY



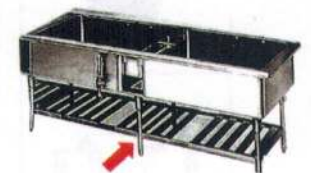
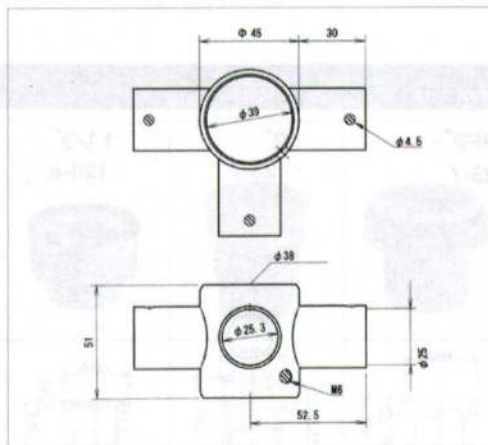
NZ-PC252

TWO WAYS



NZ-PC253

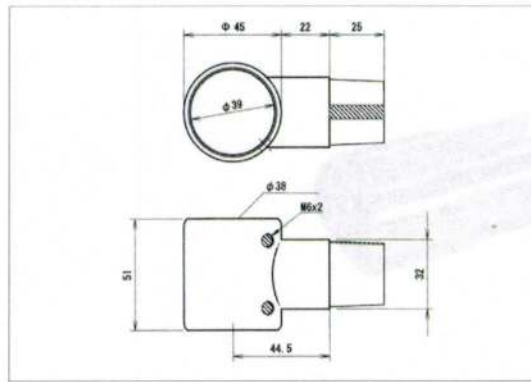
THREE WAYS



SUS304 38mm ϕ ROUND PIPE JOINT WITH 32mm ϕ ROUND PIPE WITH GUARD

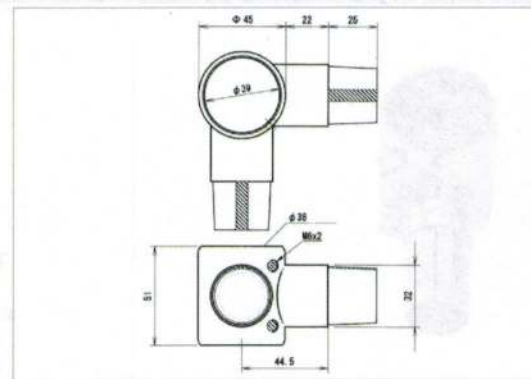
NZ-PC521

ONE WAY



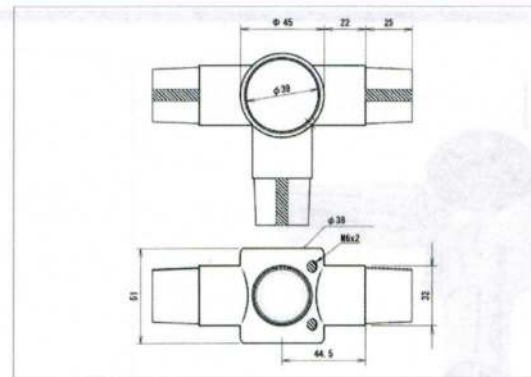
NZ-PC522

TWO WAYS



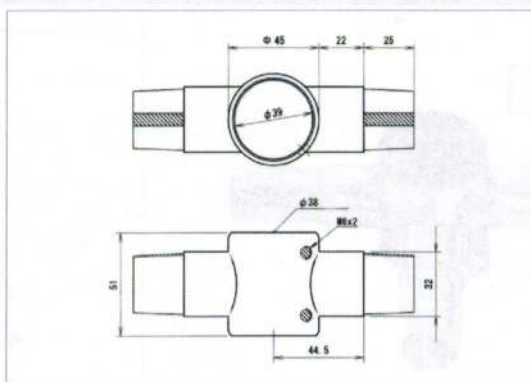
NZ-PC523

THREE WAYS



NZ-PC524

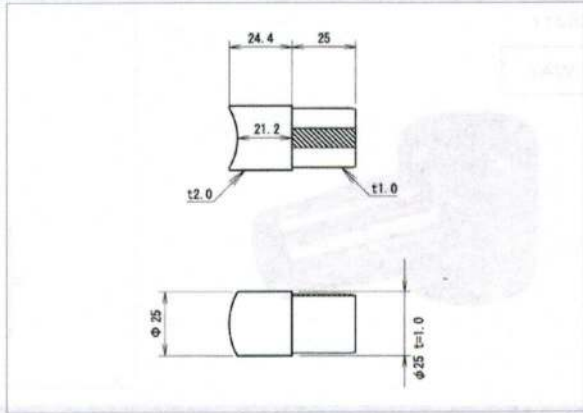
TWO WAYS



SUS304 38mm ϕ ROUND PIPE JOINT WITH 25mm ϕ ROUND PIPE

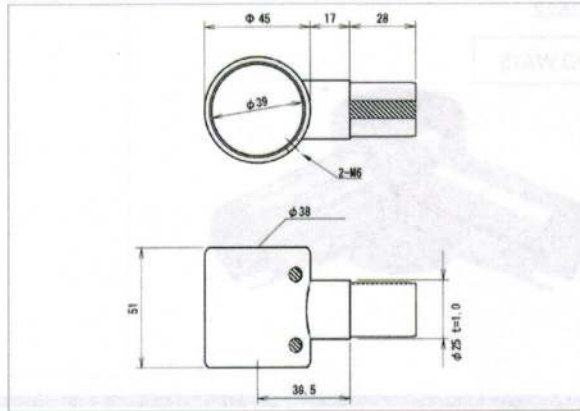
PC-250N

ARM



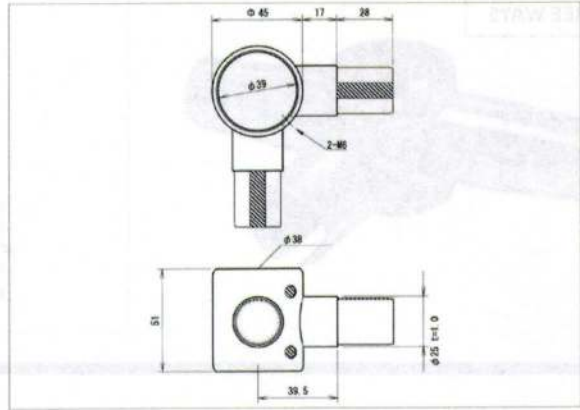
NZ-PC251N

ONE WAY



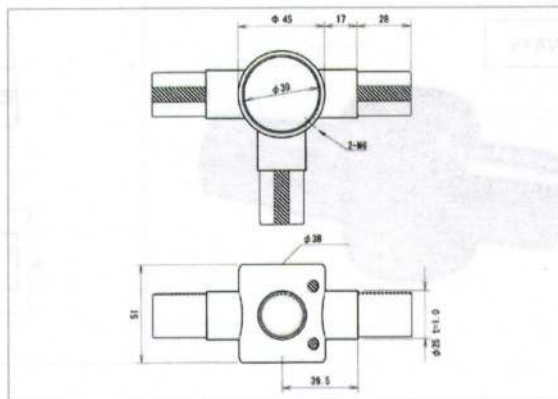
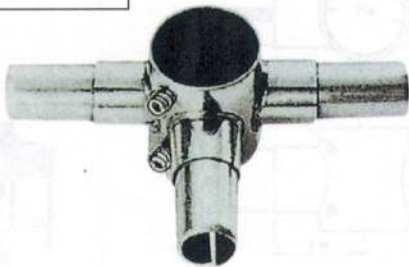
NZ-PC252N

TWO WAYS



NZ-PC253N

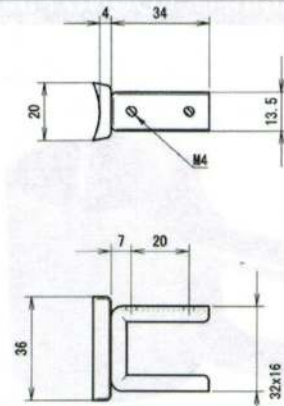
THREE WAYS



SUS304 38mm ϕ ROUND PIPE JOINT WITH 32mm x 16mm SQUARE PIPE GUIDE

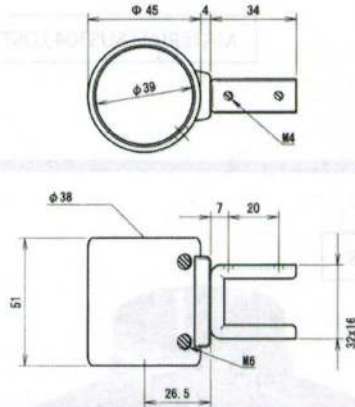
NZ-PC450

ARM



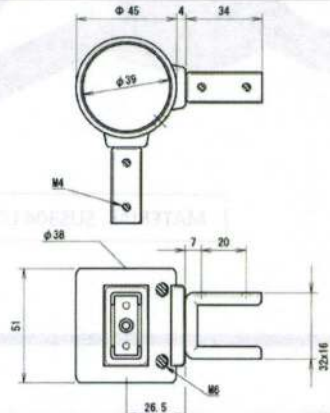
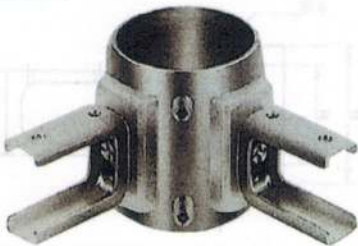
NZ-PC451

ONE WAY



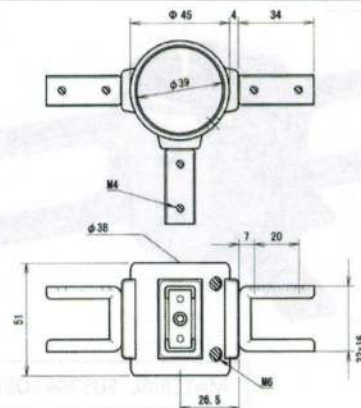
NZ-PC452

TWO WAYS



NZ-PC453

THREE WAYS



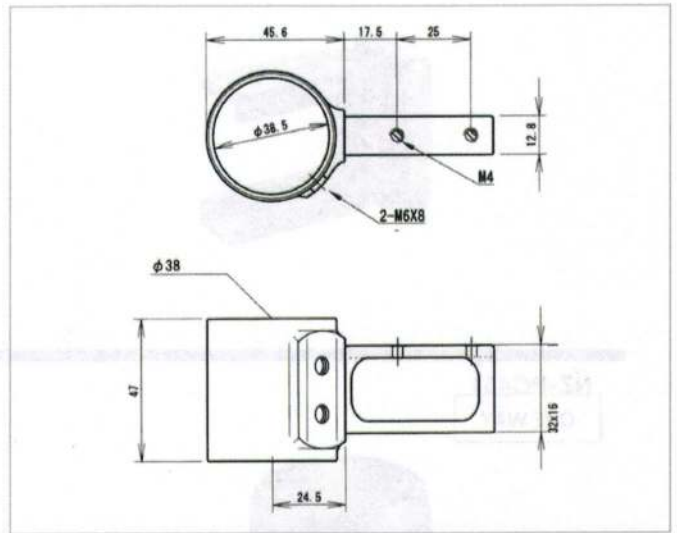
SUS304 38mm ϕ ROUND PIPE JOINT WITH 32mm x 16mm OBLONG HANDLE

NZ-P101

ONE WAY



MATERIAL: SUS304 LOST WAX

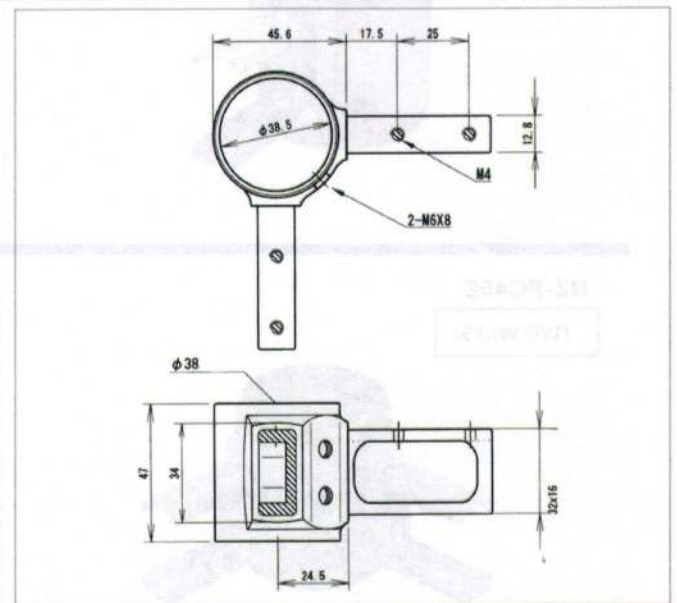


NZ-P102

TWO WAYS



MATERIAL: SUS304 LOST WAX

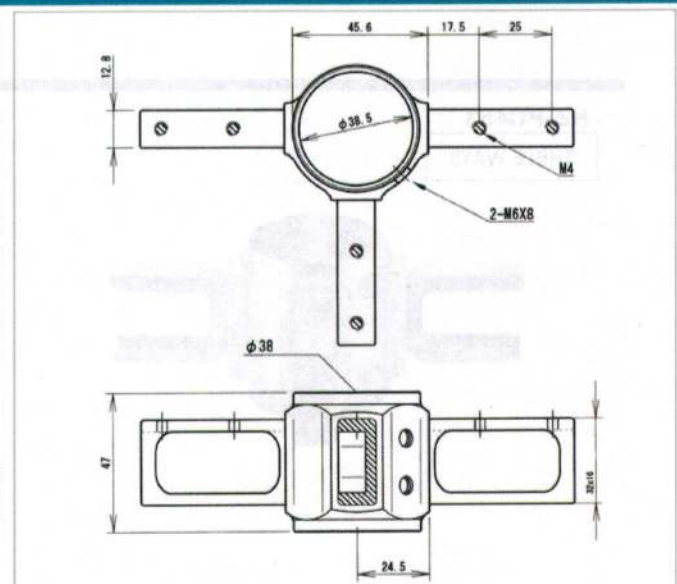


NZ-P103

THREE WAYS

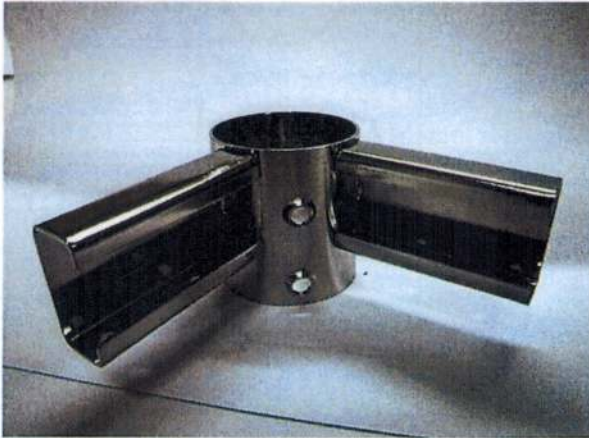


MATERIAL: SUS304 LOST WAX

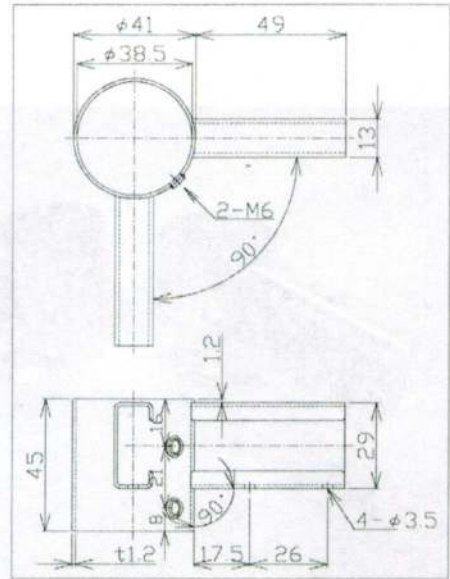


SUS304 NEW TYPE OF TWO HANDS OF PIPE HOLDER FOR TOP BOARD

NZ-PC452SNM6



(FOR 38mmØ ROUND PIPE)



IN ORDER TO SAVE YOUR VALUABLE TIME, WE HAVE NEWLY CREATED THE ABOVE "NEW TYPE" OF PIPE HOLDER. THE PRODUCTION PROCESS IS FOLLOWING:

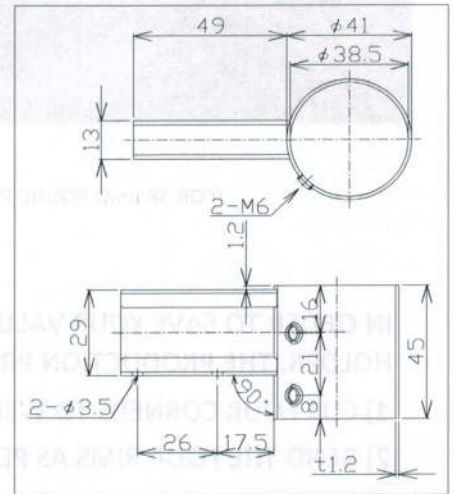
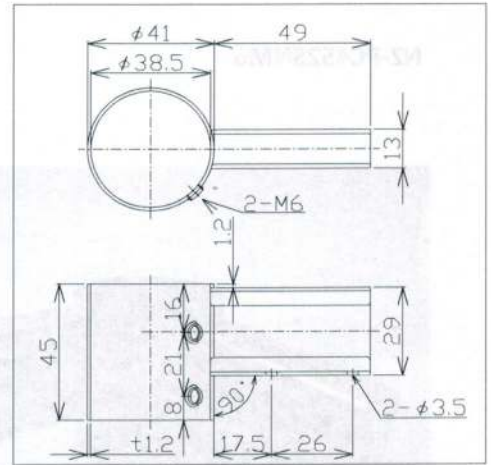
- 1) CUT FOUR CORNERS TO WELL FIT INTO ROUND PIPES.
- 2) BEND THE FOUR RIMS AS PER THE BELOWED PICTURE.
- 3) PUSH A PIPE HOLDER STRONGLY INTO FOUR CORNER.
- 4) USE THE PIPE END CAPS SHOWN ON THE NEXT PAGE TO COVER THE PIPE END.
- 5) TIGHTEN BY SCREWS OR WLEDINGS.

(FOR 32mmØ ROUND PIPE)



SUS304 NEW TYPE OF ONE HAND PIPE HOLDER FOR TOP BOARD

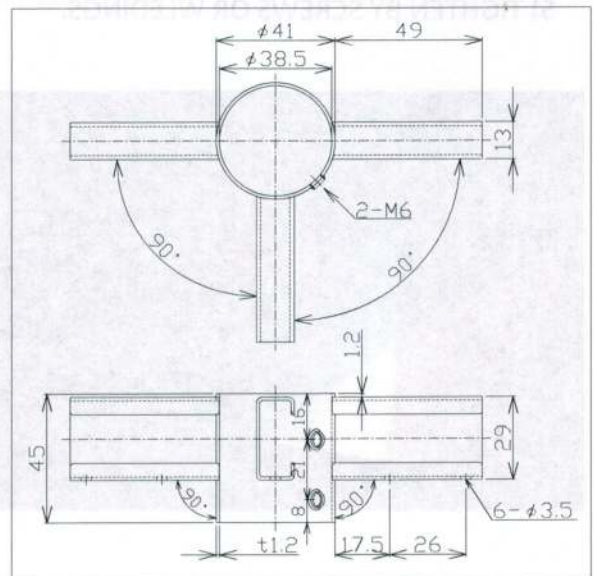
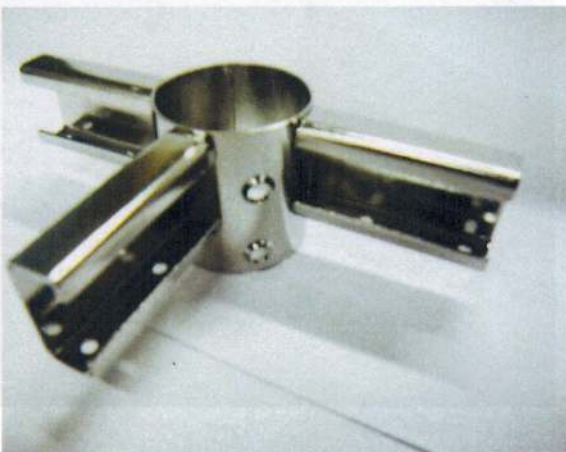
NZ-PC451SNM6



(FOR 38mm ϕ ROUND PIPE)

SUS304 NEW TYPE OF THREE HANDS OF PIPE HOLDER FOR TOP BOARD

NZ-PC453SNM6

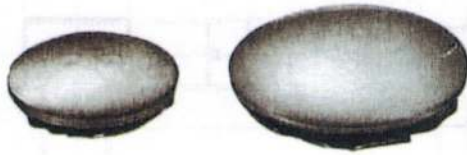


(FOR 38mm ϕ ROUND PIPE)

SUS304 ROUND PIPE END CAP

NZ-MT-192/25

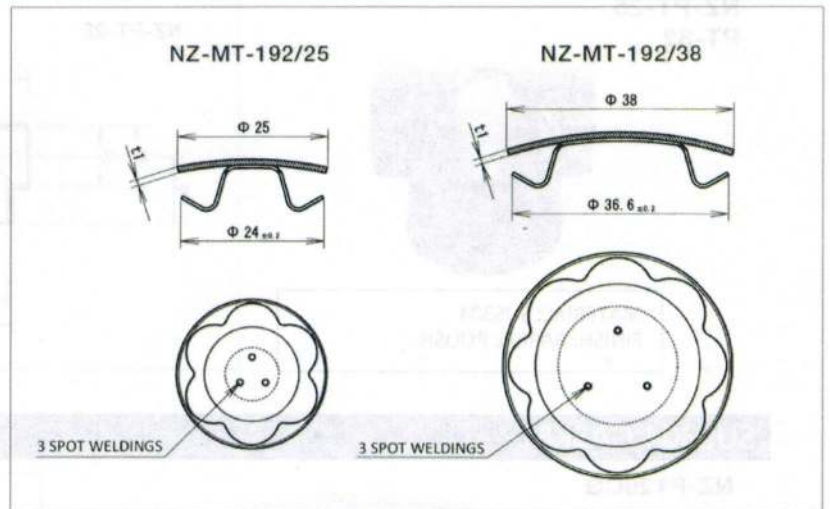
NZ-MT-192/38



25 φ

38 φ

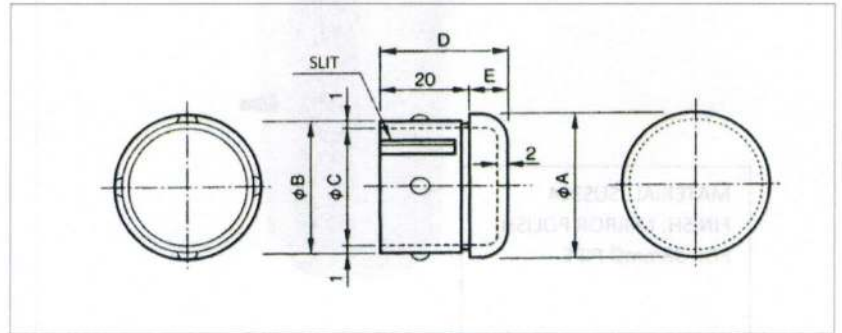
MATERIAL: SUS304



ABS PLASTIC CAP



MATERIAL: ABS
NICKEL FINISHES

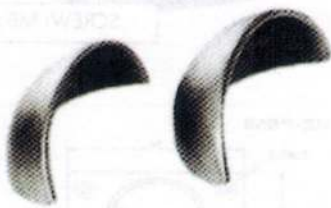


ITEM NO	ITEM NAME	MATERIALS	FINISH	SIZE				
				A	B	C	D	E
221-633	PLASTIC CAP 32	ABS	NICKEL	32	29.5	27.5	28.5	8.5
221-632	PLASTIC CAP 25	ABS	NICKEL	25	22.7	20.7	28.0	7.7
221-631	PLASTIC CAP 19	ABS	NICKEL	19	16.8	14.5	27.0	6.7

COVE CORNER INSERT

NZ-MT-189

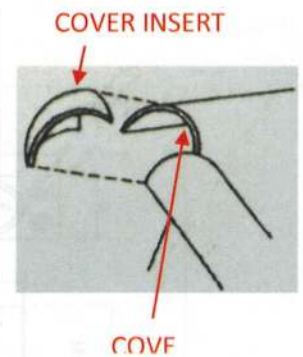
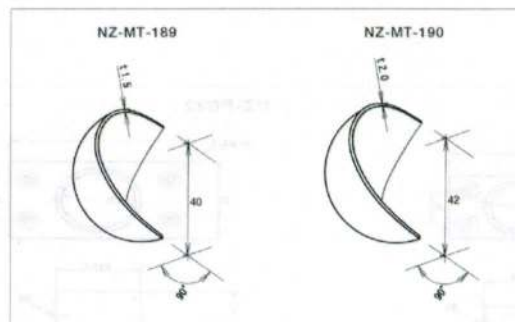
NZ-MT-190



SUS304 STAINLESS STEEL

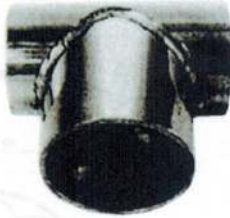
ITEM NO	HEIGHT	THICKNESS
NZ-MT-189	40	t1.5
NZ-MT-190	42	t2.0

BARREL POLISHED

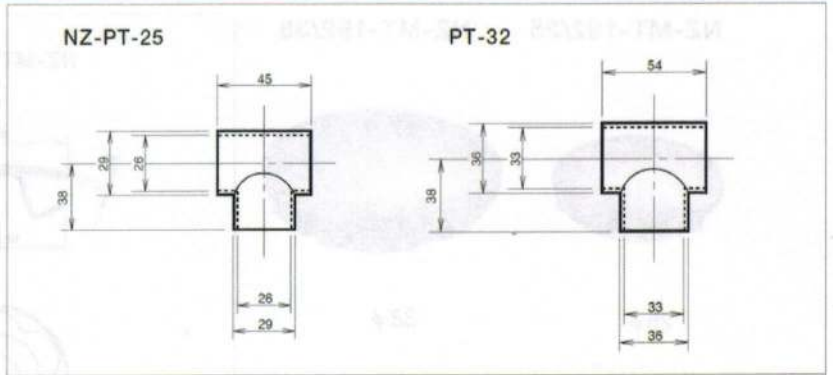


SUS304 STAINLESS STEEL "T" TYPE

NZ-PT-25
PT-32



MATERIAL: SUS304
FINISH: BARREL POLISH

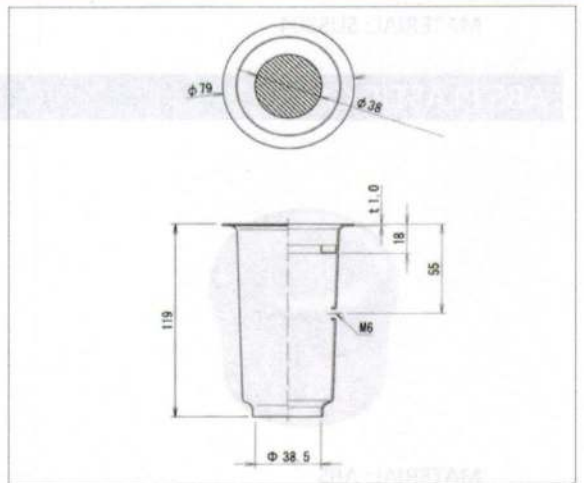


SUS304 GASKET

NZ-P120CG



MATERIAL: SUS304
FINISH: MIRROR POLISH
FOR 38mmØ PIPE



SUS304 PIPE SOCKET

NZ-PS25

NZ-PS32

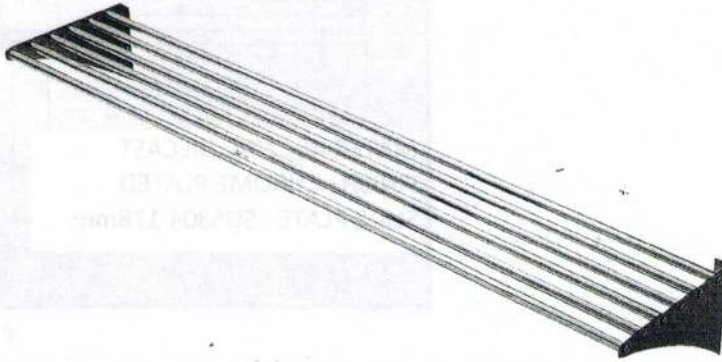
NZ-PS38



SCREW: M6 x 8



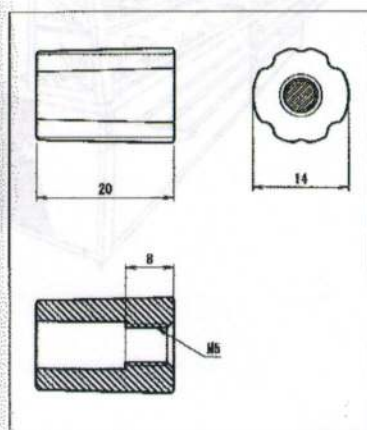
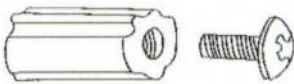
STAINLESS STEEL ROUND PIPE RACK



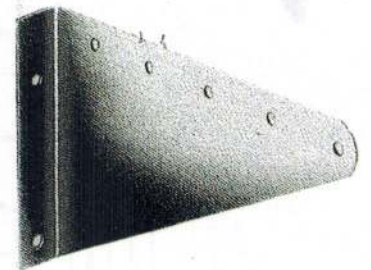
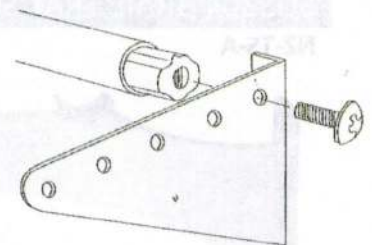
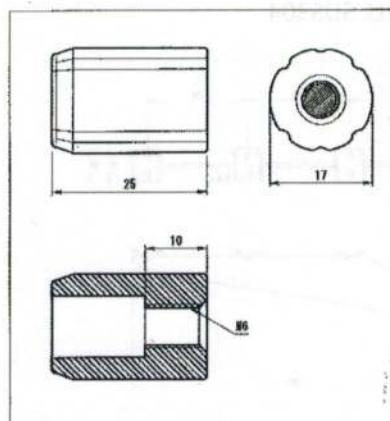
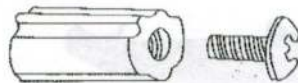
The above round pipe rack can be made by the following bushes, **without welding and polished. Finished Rack becomes beautiful. You can save a lot of labor cost and rational production ways.**

- 1) Make M5 or M6 holes on stainless steel pipe holder with 1.0mm thickness according to your desired length.
- 2) Insert bush of 16mm or 19mm dia. into proper size of round pipe.
- 3) Screw up the bush and pipe holder tightly.
- 4) Any sizes can be made very simply but beautifully.

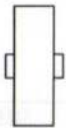
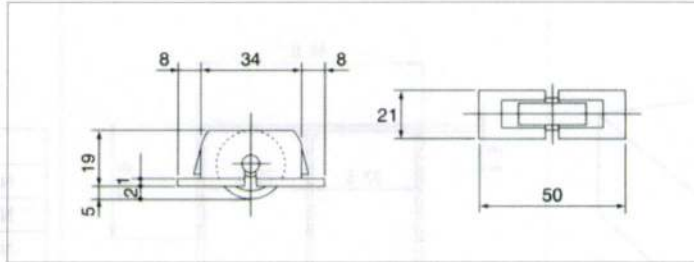
NZ-P016
For 16mm dia. 1.0mm
Thick Round Pie



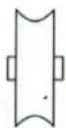
NZ-P019
For 19mm dia. 1.0mm
Thick Round Pie



ONE-TOUCH NYLON WHEEL



W-MT-212
FLAT TYPE
21mm WIDTH

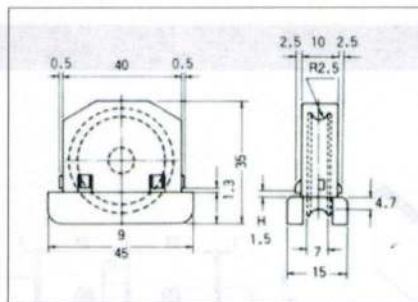


W -MT-213
ROUND TYPE
21mm WIDTH

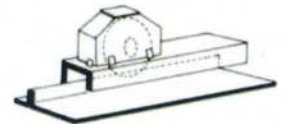
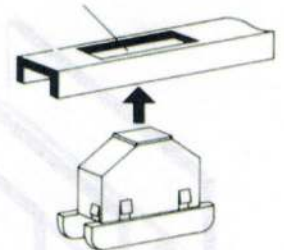
3A



MATERIALS: NYLON
SIZE: 15 x 45 x 35 mm



SIZE OF DIES HOLE
40.5 x 11 x 1.0mm (or 0.8mm)

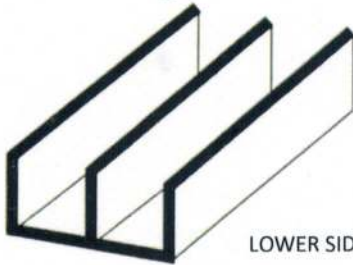


- FEATURES:**
1. NO WELDING, NO RIVETTING AND NO CORROSION.
 2. JUST INSERT WHEELS INTO OBLONG HOLE.
 3. IF EXHAUSTED, TAKE OUT AND REPLACE IN ONE TOUCH.
 4. 5kgs OF LOAD WEIGHTED WHEEL MOVES 100,000 TIMES TO 'RIGHT' AND 'LEFT' ON 500mm LONG RAIL. BUT, NO DAMAGE.
 5. NO METAL NOISE AND VERY SMOOTH MOVING.

PLASTIC RAIL

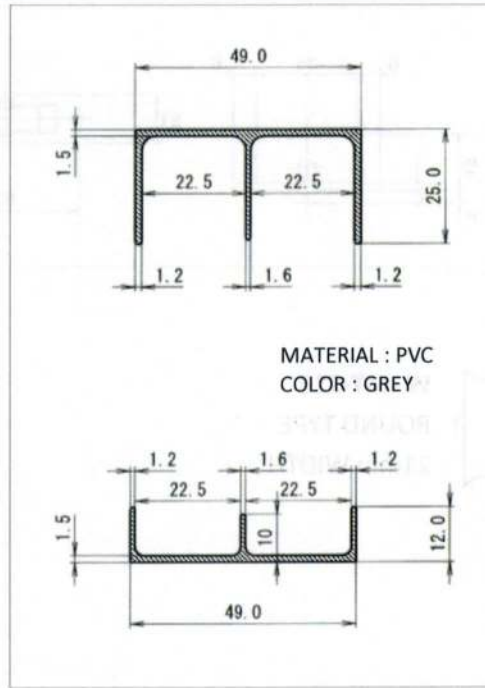
W-PL2410 / 25W

UPPER SIDE



LOWER SIDE

NZ-PL2410W

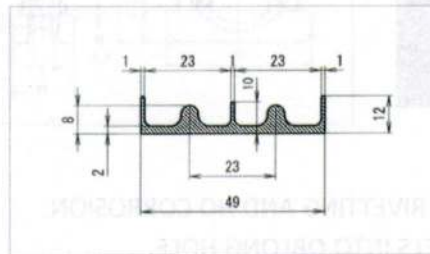


ITEM NO	SIZE
NZ-PL1510/25W	25 x 49 x 1510mm
NZ-PL1810/25W	25 x 49 x 1810mm
NZ-PL2410/25W	25 x 49 x 2410mm

ITEM NO	SIZE
NZ-PL1510W	25 x 49 x 1510mm
NZ-PL1810W	25 x 49 x 1810mm
NZ-PL2410W	25 x 49 x 2410mm

PVC MOUNTAINED RAIL

W-PL4912



ITEM NO	WIDTH	HEIGHT	LENGTH
NZ-PL4912	49mm	12mm	2410mm

MATERIALS: PVC COLOR: GREY

PVC BUMPER

NZ-LCG-B

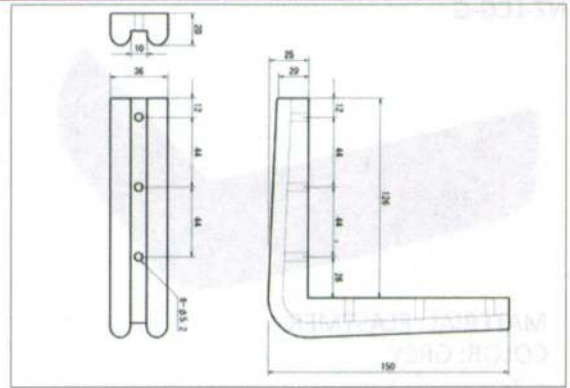
NZ-LCG-W



BLACK



WHITE



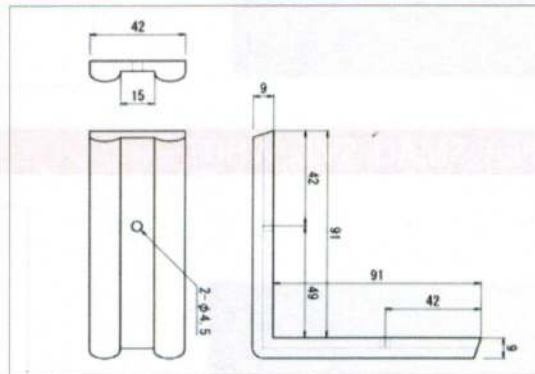
SUS430 REINFORCEMENT BAND FOR BUMPER FOR ITEM NO. NZ-LCG B/W

NZ-LCG-SS



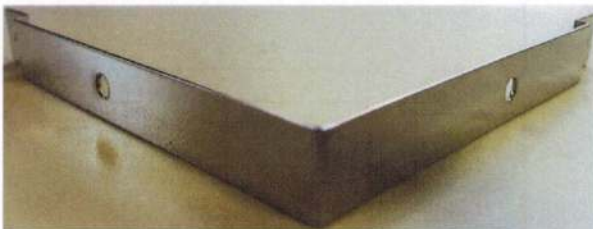
PVC BUMPER

NZ-LC-1



SUS430 REINFORCEMENT BAND FOR BUMPER FOR ITEM NO. NZ-LC-1

NZ-LCG-S

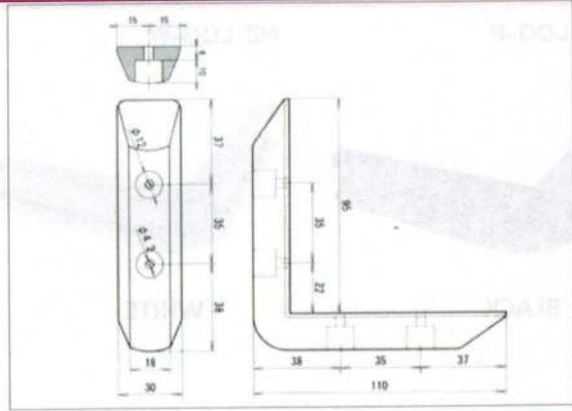


PVC BUMPER

NZ-LCG-G

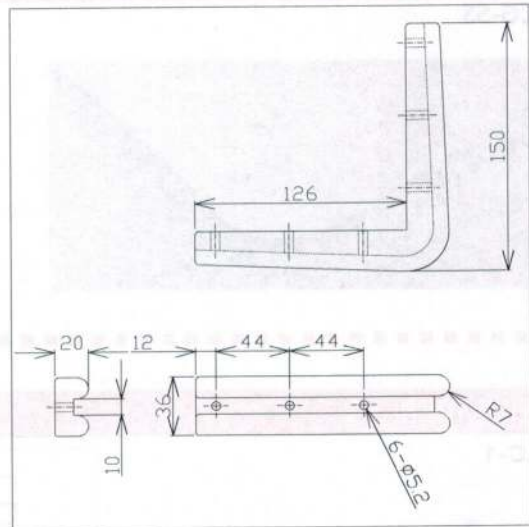


MATERIAL: ELASTMER
COLOR: GREY



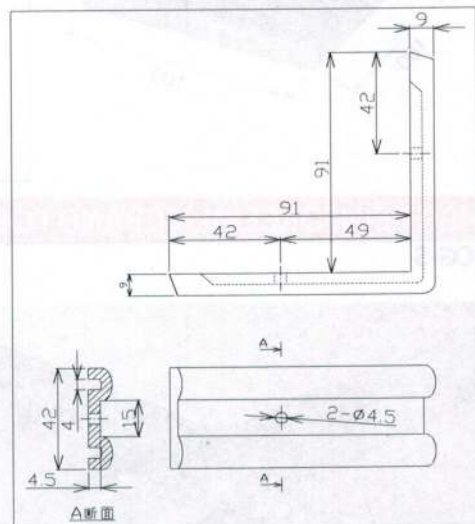
SILICONE BUMPER, LARGE SIZE, WHITE

NZ-LCG-W/S



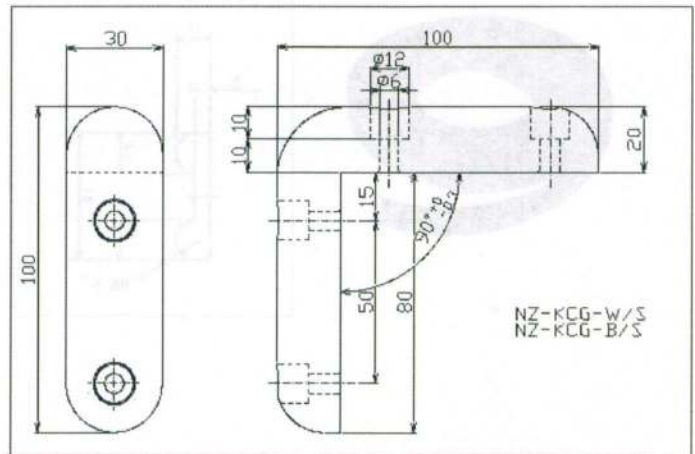
SILICONE BUMPER, SMALL SIZE, WHITE

NZ-LC1W/S



SILICONE BUMPER, WHITE AND BLACK

NZ-KCG-B/S (Black) NC-KCG-W/S (White)

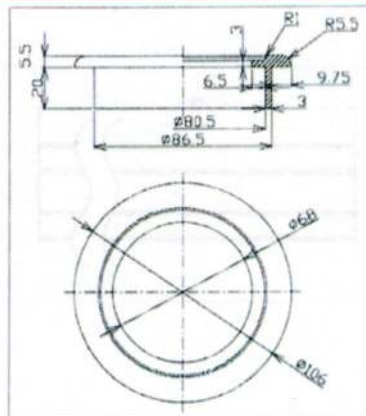


BUMPER PROTECTOR FOR OUTLET FLEXIBLE TUBE

NZ-HG87

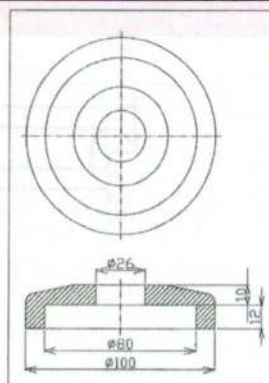


MATERIAL: RUBBER



BUMPER FOR CASTER

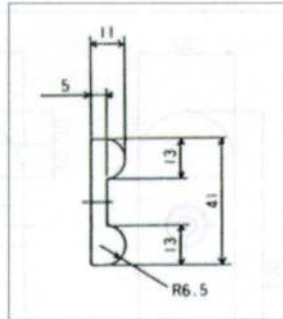
NZ-LCG-R



MATERIAL: PVC
COLOR: GREY

BUMPER ROLL

CV-9000B BLACK
CV-9000W WHITE



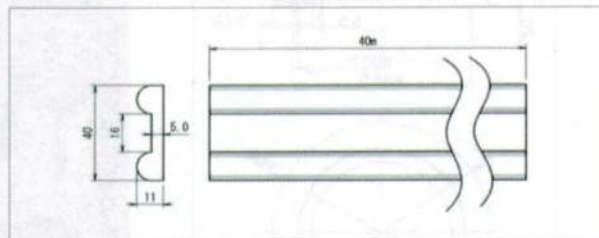
MATERIAL: PVC

GLOSSY
UNBREAKABLE
WELL FIT TO CORNERS

40 METER PER ONE ROLL

BUMPER ROLL

CV-9000WT WHITE
CV-9000BT BLACK

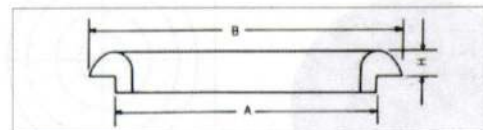


MATERIAL: ELASTMER

DURABLE UP TO 140°C
GLOSSY
UNBREAKABLE
WELL FIT TO CORNERS

40 METER PER ONE ROLL

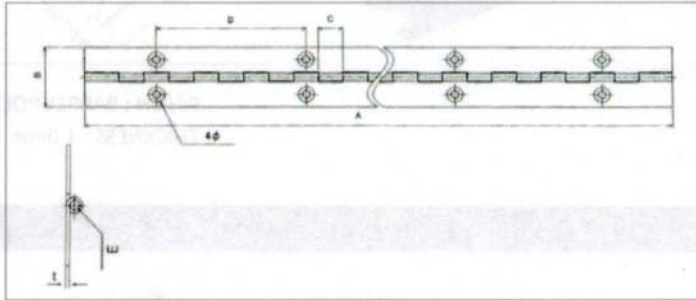
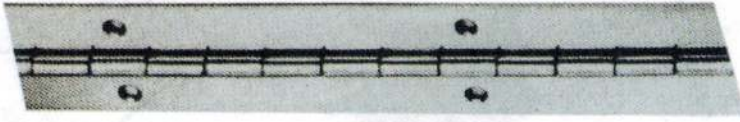
RUBBER DUST RING



ITEM NO	HOLE Ø A	HOLE Ø B	HEIGHT H
R-220	180	218	10
R-250	210	250	11
R-280	240	278	14

SUS304 PIANO HINGES

500-32H 500-38H

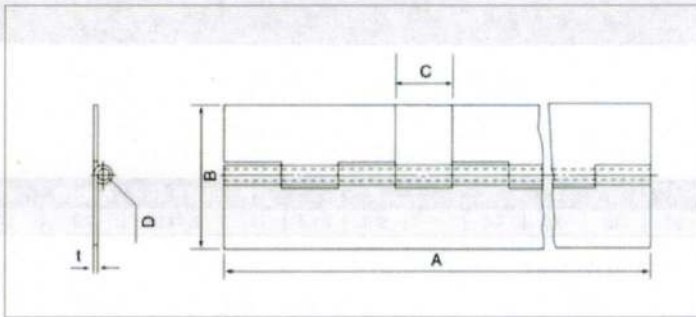
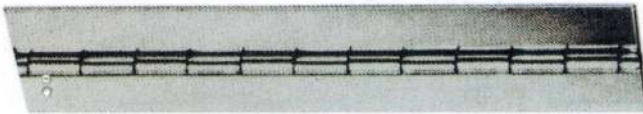


SUS304 PIANO HINGE WITH HOLES

FINISH	MIRROR POLISH
LENGTH	1,872mm
WIDTH	32mm 38mm
THICKNESS	0.8mm

SUS304 PIANO HINGE WITHOUT HOLES

500-32 500-32

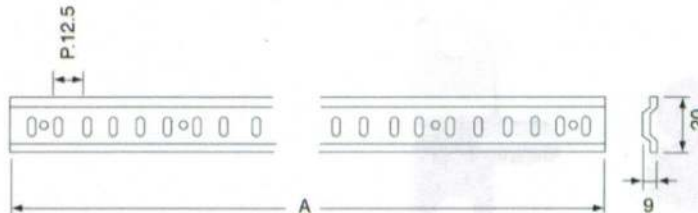


SUS304 PIANO HINGE WITHOUT HOLES

FINISH	MIRROR POLISH
LENGTH	2,100mm 1,800mm
WIDTH	32mm 38mm
THICKNESS	0.8mm

SUS304 PILASTER

MT-175

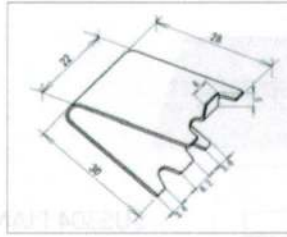


SUS304 PILASTER WITH HOLE

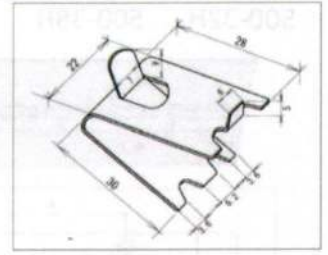
FINISH	MIRROR POLISH
LENGTH	1,500mm
WIDTH	20mm
THICKNESS	1.2mm

SUS304 CLIP

NZ-CP176



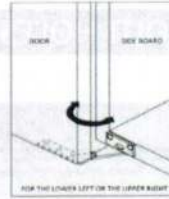
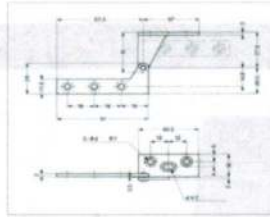
NZ-CP177



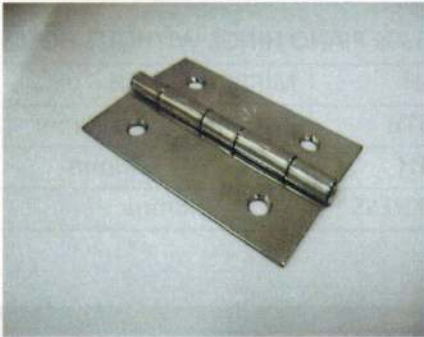
FINISH : BARREL POLISHED
THICKNESS : 1.0mm

CABINET HINGE

NZ-PL-60-R/L



HINGE WITH HOLE



SIZE	A	B	C	I	J	K	L	穴数	木捻子 SIZE	小面枚数	小面箱数	1面枚数
51	51	35	0.8	7.4		9.8	31.4	4	2.4x13	20	50	1,000

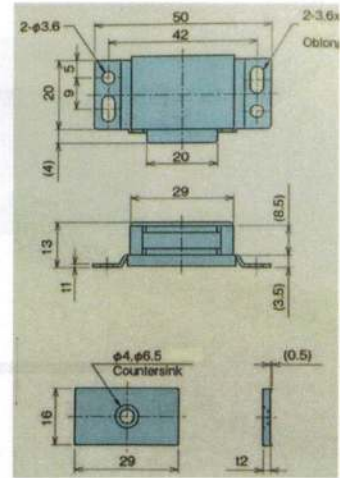
ROLLER CATCH



ITEM NO	SIZE	A	B	C	D	E	F	G	H
OS-R5	L	38	28	28	22	17	29	20	16.5
OS-R6	M	32	24	28	17.5	15.5	29	20	16.5
OS-R7	S	28	20	24	15	13.5	23.5	18	12.0

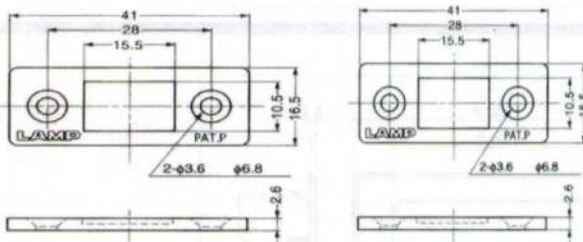
MAGNETIC CATCHER

X-DCM11-2



MAIN BODY (CASE)		ADSORPTION (kg)	WEIGHT (g)
MATERIAL	FINISH		
AIP	GOLD ANODIZED ALUMINUM	3.2	37

2.6mm THINNER STRONG MAGNETICS



MATERIAL	STEEL
BODY	NICKEL PLATED
MAGNETIC POWER	4kgf

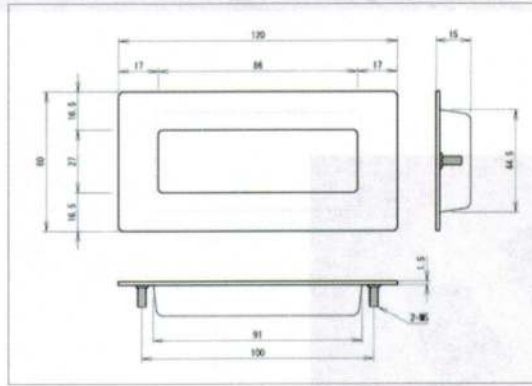
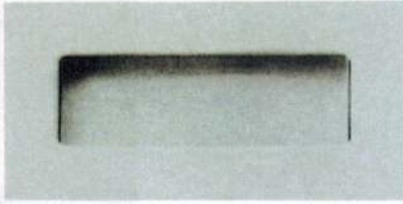
THICKNESS OF BOTH PARTS ARE SAME.

MAGNETIC METAL : MAGNETIC METAL JEUM COPPER

WARNING : 1) MAGNETICS ARE SO STRONG THAT PLEASE DO NOT NEST EACH OTHER MAGNETICS DIRECTLY FOR EACH BREAKGES.
2) THE EXTRA METAL SHOULD BE FIXED TO THE OPPOSITE SIDE PROPERLY FOR EASY OPENINGS.

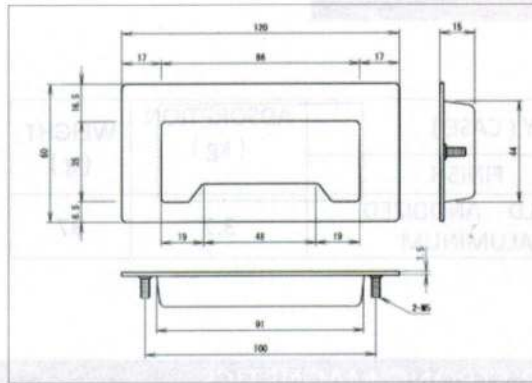
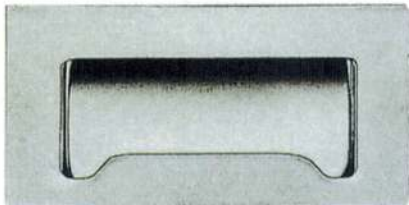
SUS304 SQUARE HANDLE

NZ-H130



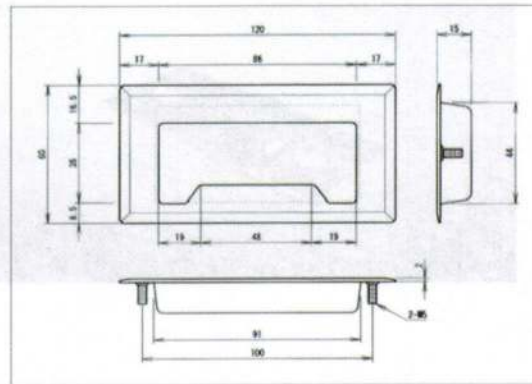
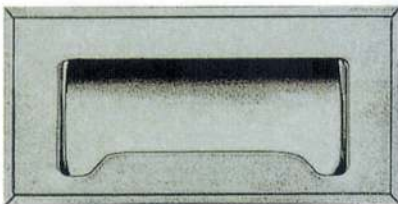
FINISH : HAIR LINE POLISH
 BOLT & NUT : SUS304
 'S' WASHER : SUS304
 THREADS : M5

NZ-H135



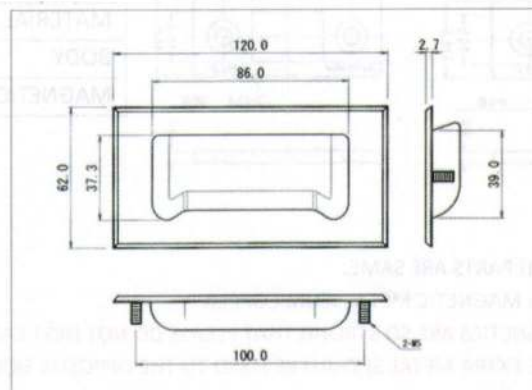
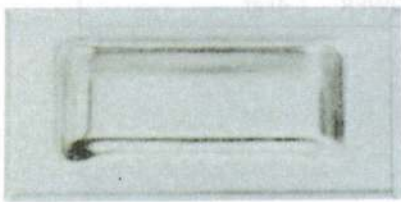
FINISH : HAIR LINE POLISH
 BOLT & NUT : SUS304
 'S' WASHER : SUS304
 THREADS : M5

NZ-H136



FINISH : HAIR LINE POLISH
 BOLT & NUT : SUS304
 'S' WASHER : SUS304
 THREADS : M5

HT-115

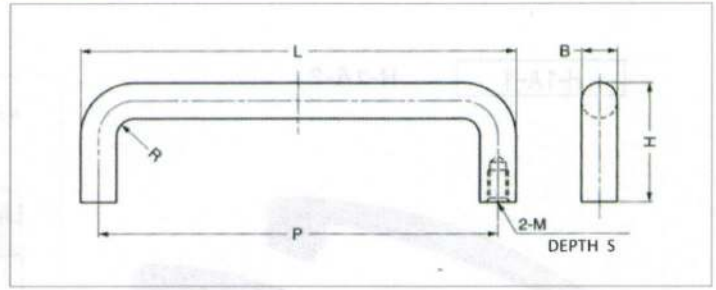


FINISH : HAIR LINE POLISH
 BOLT : STEEL
 NUT : SUS304
 THREADS : M5

H42-C:

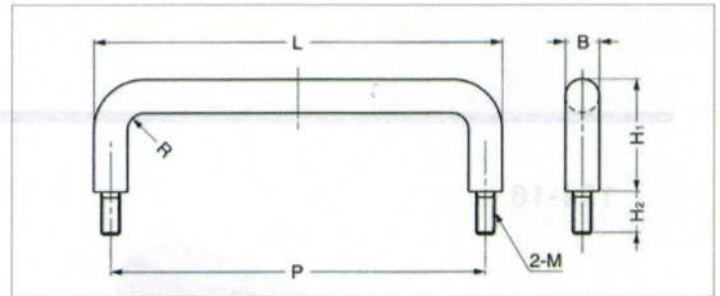


MATERIAL : SUS304
FINISH : MIRROR POLISH



ITEM NO.	L	H	B	P	S	M
H42-C2	109	30	9	100	8	M5x0.8
H42-C4	130	40	10	120	8	M6x1

H42-B:

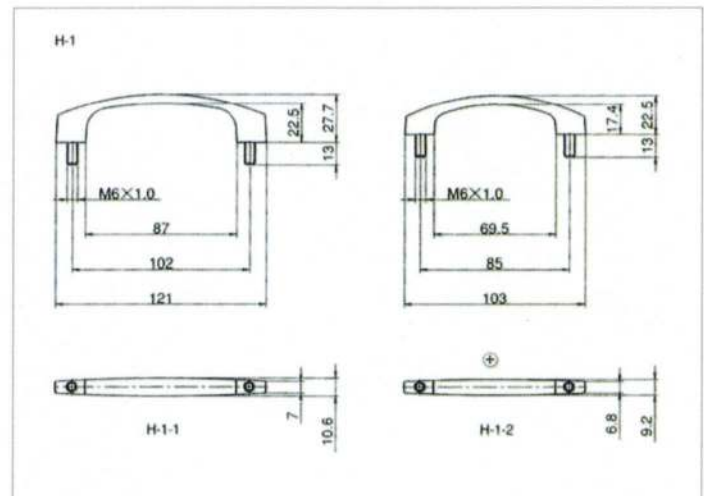


ITEM NO.	L	H1	H2	B	P	R	M
H42-B2	109	30	11	9	100	4.5	M5x0.8
H42-B4	130	40	11	10	120	5	M6x1
H42-B6	250	50	20	12	238	6	M8x1.25

H-1-1 H-1-2



MATERIAL : ZINC DIECAST
FINISH : CHROME PLATED

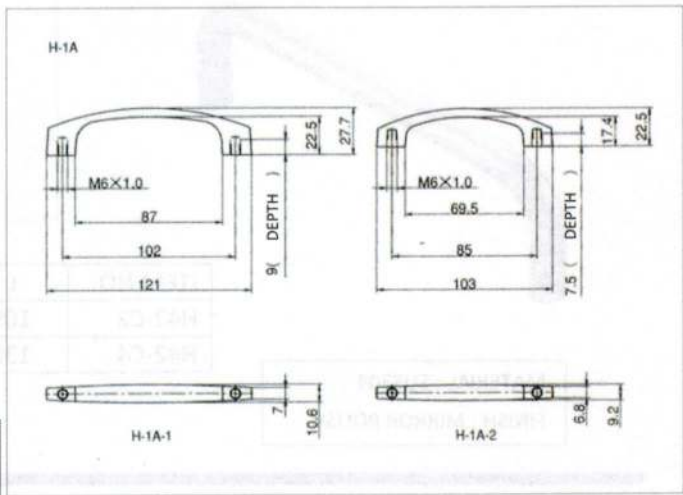


H-1A-1

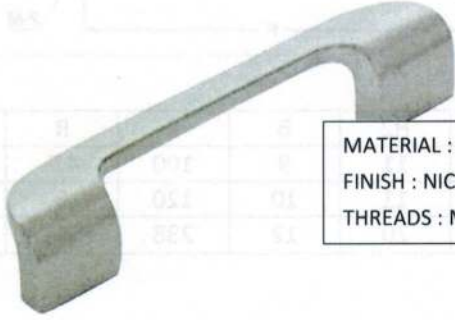
H-1A-2



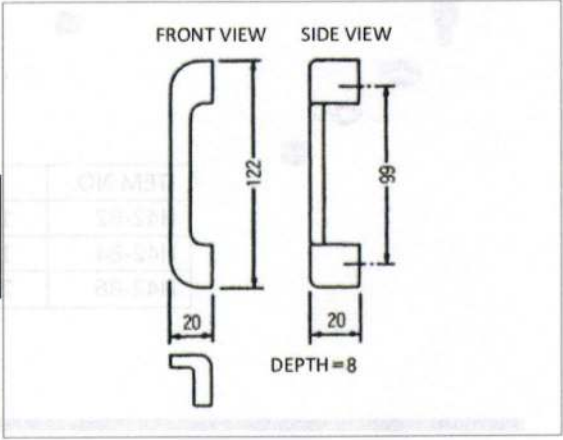
MATERIAL : ZINC DIECAST
FINISH : CHROME PLATED



124-16

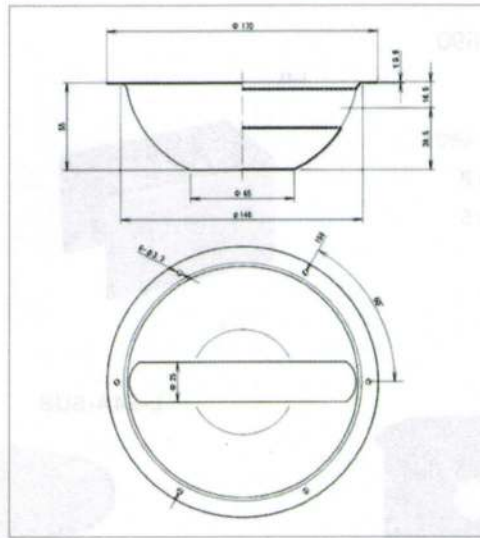


MATERIAL : ZINC DIECAST
FINISH : NICKEL PLATED
THREADS : M4 x 0.7 x 35

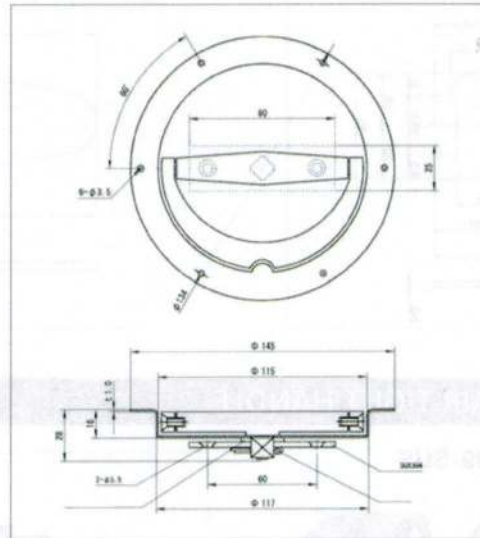


FOODS CARRIER HANDLES AND ACCESSORIES

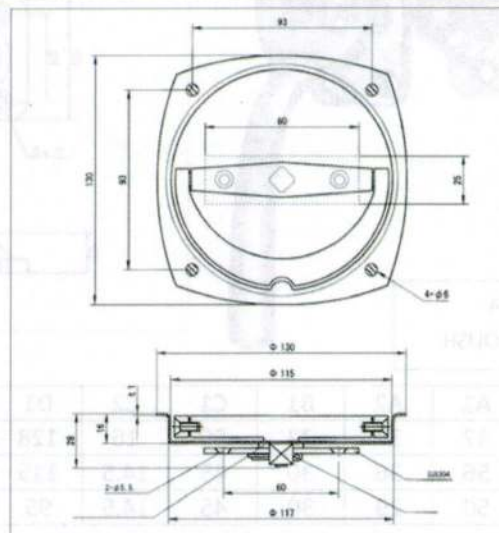
NZ-H190



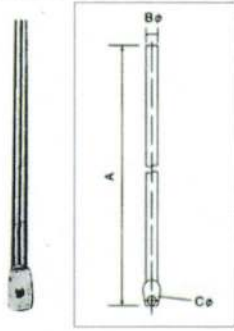
HT-180



HT-170

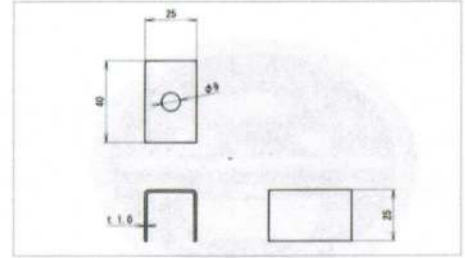


LOTS POLE & GUIDE

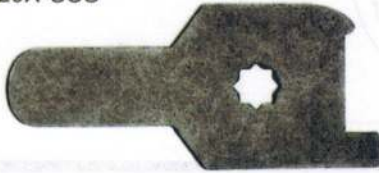


L-690

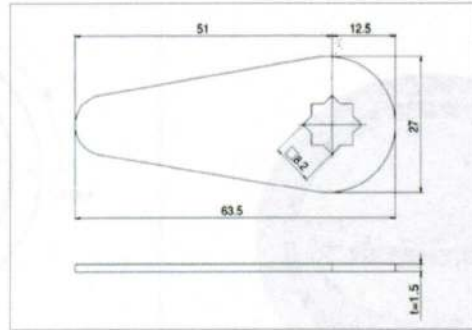
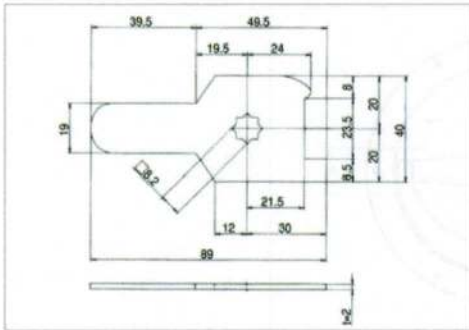
A : 690
B : 8
C : 5



L-20A-SUS

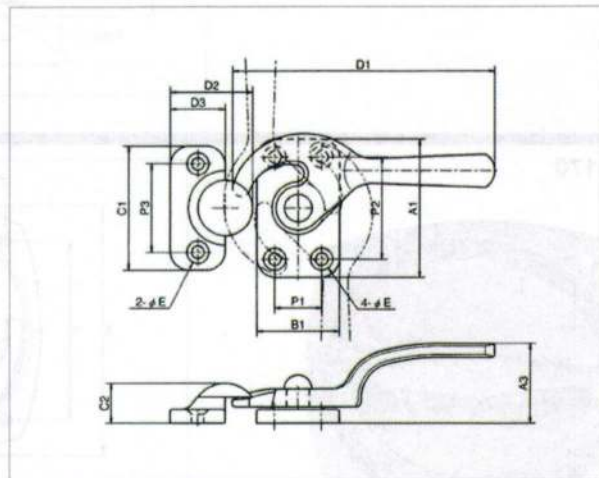
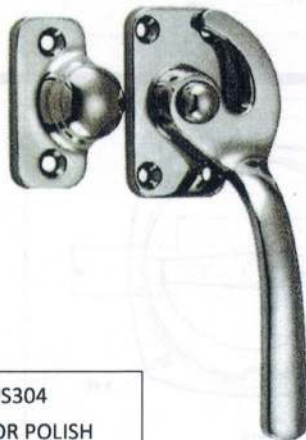


L-24A-SUS



SUS304 LONG WAY AIR TIGHT HANDLE

PH-99-SUS



MATERIAL : SUS304
FINISH : MIRROR POLISH

ITEM NO.	A1	A2	B1	C1	C2	D1	D2	D3	P1	P2	P3	E
PH-99-SUS-3	57	37	32	50	16	128	32	23	22	43	35	4.5
PH-99-SUS-4	56	36	30	45	14.5	115	30	20	20	40	32	4.5
PH-99-SUS-5	50	29	30	45	14.5	95	30	20	17	37	32	4.5

CHROME PLATED LEAVE ZINC HANDLE

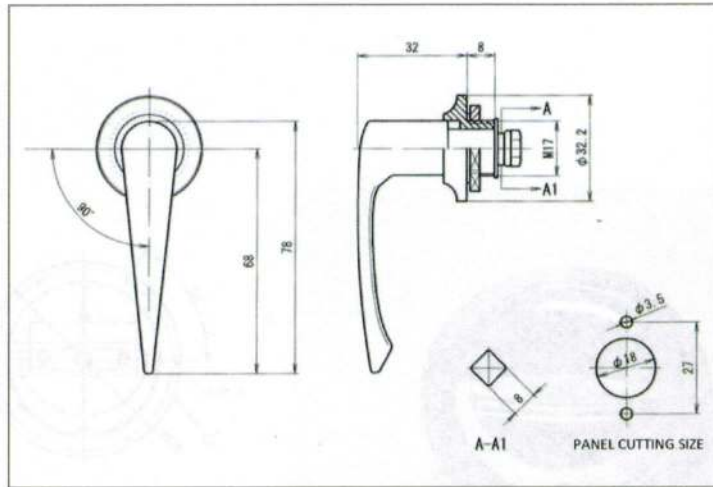
HT-302R

FREE



HT-302U

FIXED



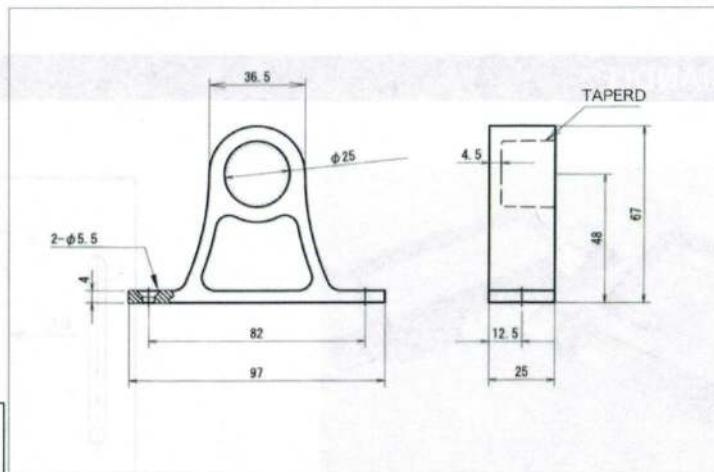
MATERIAL : ZINC DIECAST
FINISH : CHROME PLATED

SUS304 PUSH HANDLE FOR 25mmØ PIPE

NZ-MT-154/T



MATERIA : SUS304 LOST WAX
FINISH : MIRROR POLISH

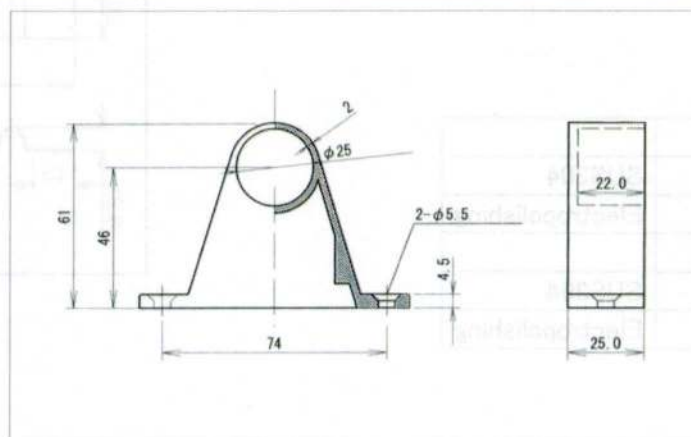


ZINC CHROME PLATED FOR 25mmØ PIPE

NZ-MT-155

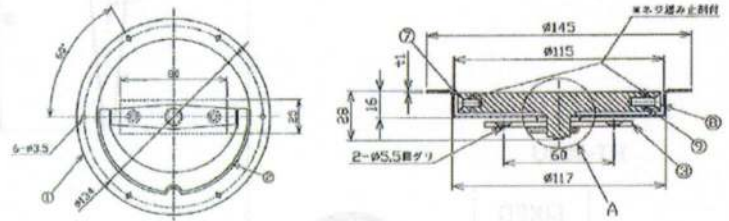


CHROME PLATED FINISH



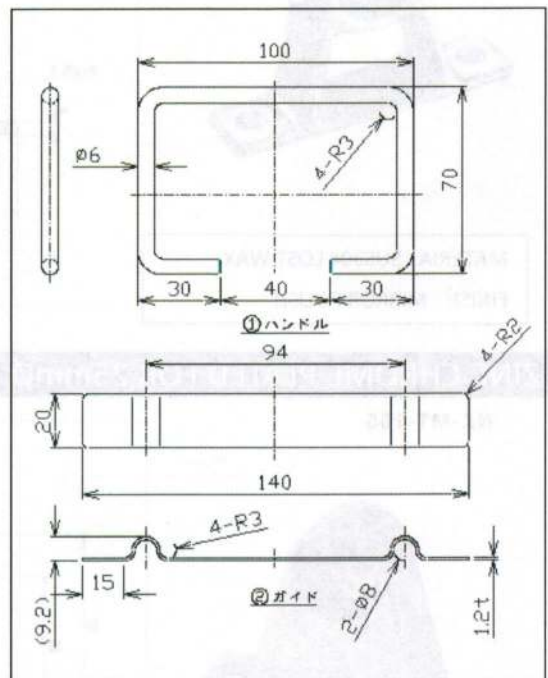
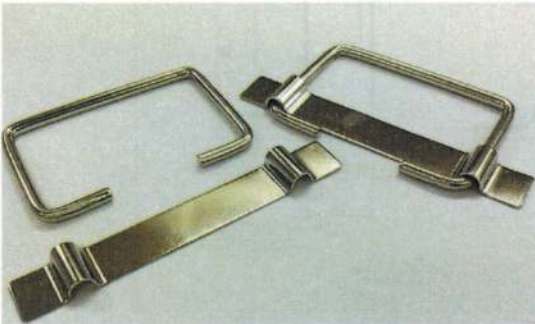
ROUND SHAPE HANDLE

HT-180S



PULL-UP HANDLE

NZ-HF100



①Handle	
Material	SUS304
Finish	Electropolishing
②Guide	
Material	SUS304
Finis	Electropolishing

Heater for Gas, Liquid and Individual

1. Plug Heater



- * Heater Element & Plug : made by SUS
- * Plug Size : 32A, 40A, 50A, 65A
- * Max Press. 5 kgs/cm2

2. Heater with Flange



- * Heater Element : SUS306L (Electric Polish)
Copper Nickel Plate
- * Flange : 40A, 50A, 65A, 80A, 100A, 200A, 250A

3. Heater Throw In Type



- * Good Insulation
- * Perfect Waterproof

4. Heater for Water



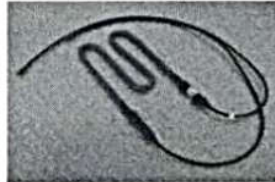
- * Heat Element : SUS316L (Corrosive Resistance)
- * Heat water directly and good heat efficient

5. Heater with Fin



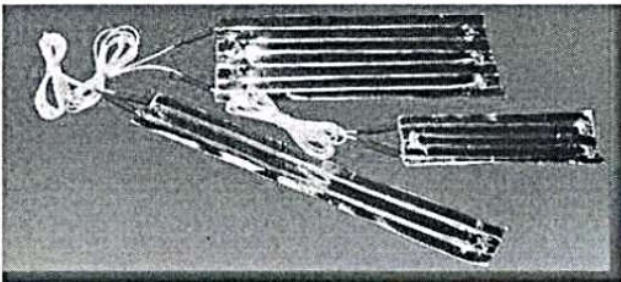
- * Good heat efficiency
- * Surface Temperature can be kept lower

6. Heater for Defrosting



- * Defroster for high refrigeration capacity
- * Perfect Waterproof

7. Alminum Foil Type Heater



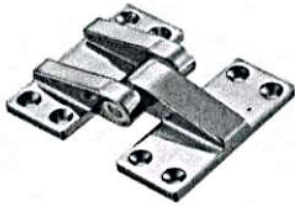
- * For prevent from freezing of Refregirator Drain Pan
- * Heater is covered by Glassfiber

* We have various kinds of Heater

* Please tell us the Usage, Capacity, Material, Dimension and etc. so that we can select most suitable one.

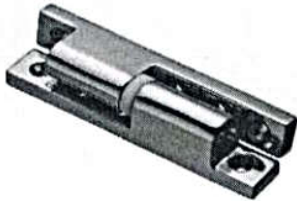
THE ONE CLEATECH
No 40, Lane 42, Tran Cung Street, Co Nhue Commune,
Bac Tu Liem Distric, Ha Noi City, Viet Nam
TEL: +842437938373 HOTLINE: +84936090191
Email: info@theonejsc.com
WEBSITE: <http://www.theonecleantech.com>

1. Multipurpose Hinge (S-2720)



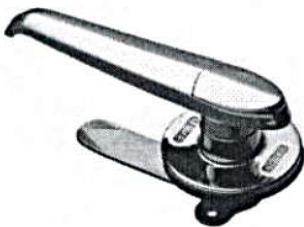
Cast Stainless Steel
Mirror surface buffing

2. Corner Slip Joint Hinge (S-2715)



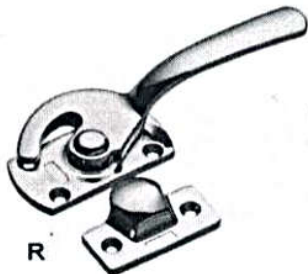
Cast Stainless Steel
Mirror surface buffing

3. Waterproof Handle (A-2130)



Cast Stainless Steel
Mirror surface buffing

4. Handle for Airtightness (C-2114)



Cast Stainless Steel (SUS316)
Mirror surface buffing

5. Stainless Roller Latch Handle for Airtightness (F-2210)



Cast Stainless Steel
Mirror surface buffing

6. Oval Shaped Handle (A-2119 with Lock)



Cast Stainless Steel
Mirror surface buffing

7. T-Shaped Handle (A-2139) Cast Stainless Steel Mirror surface buffing



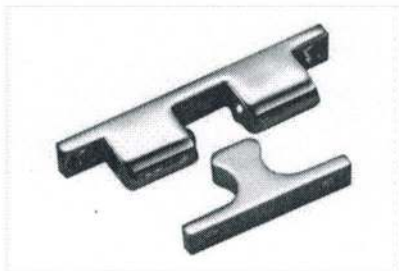
Cast Stainless Steel
Mirror surface buffing

8. Shackle (B-3111) Cast Stainless Steel



Cast Stainless Steel
Gloss Barrel Polishing

9. Stainless Ball Catch (S-2055)



Cast Stainless Steel
Mirror surface buffing